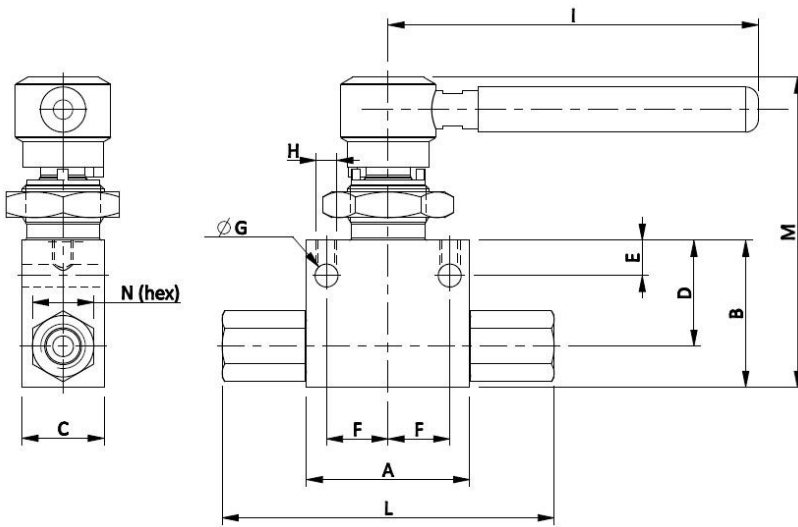


Ball Valves

B15-Series Ball Valve

15,000 psi

Sami Instruments medium pressure valves are designed for flow control and are available in various tubing sizes to satisfy different requirements. Connections from 1/4 " to 1" NPT-F.

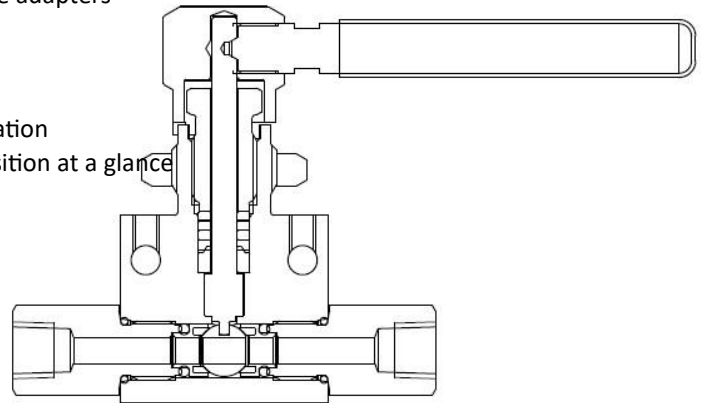


Specifications

- Pressure 15,000 Psi (1034 Bar)
- Positive sealing ensured by pressure loaded seats
- Maximum safety ensured by blowout-proof stem and ball
- Versatile installation thanks to wide choice of replaceable connections.
- Minimum pressure drop assured by straight through flow path.

PLEASE NOTICE: Sami B15 series ball valves are not suitable for gas medium

- AISI 316L cold-worked stainless steel body and side adapters
- PEEK ball seals
- Stem packings in glass-filled Teflon
- Viton o-rings
- Quick open and close thanks to quarter-turn operation
- Flow indicating handle allows to indicate valve position at a glance
- Bi-directional flow capabilities.
- Panel mounting: 1.06" (26.0 mm) dia
0.43" (11.0 mm) max thickness



PLEASE NOTICE: the maximum working pressure for sizes 3/4" and 1" is 10.000 psi only.

Order code	Connections Inlet/outlet	A (mm) (inch)	B (mm) (inch)	C (mm) (inch)	D (mm) (inch)	E (mm) (inch)	F (mm) (inch)	G (mm) (inch)	H (mm) (inch)	I (mm) (inch)	L (mm) (inch)	M (mm) (inch)	N (mm) (inch)	Orifice mm (inch)
B15V01T11	1/4" NPT-F	50.5 (1.99)	45.5 (1.79)	25.4 (1)	32.8 (1.29)	10.9 (0.43)	19.05 (0.75)	7.1 (0.28)	1/4"-20 UNC	114.5 (4.49)	102.7 (4.04)	96 (3.78)	19.05 (0.75)	6.4 (0.25)
B15V01T12	3/8" NPT-F	50.5 (1.99)	45.5 (1.79)	25.4 (1)	32.8 (1.29)	10.9 (0.43)	19.05 (0.75)	7.1 (0.28)	1/4"-20 UNC	114.5 (4.49)	102.7 (4.04)	96 (3.78)	25.4 (1)	6.4 (0.25)
B15V01T13	1/2" NPT-F	76.2 (3)	53.5 (2.1)	34.9 (1.37)	36 (1.42)	10.9 (0.43)	19.05 (0.75)	7.1 (0.28)	1/4"-20 UNC	114.5 (4.49)	137.1 (5.4)	104 (4.10)	34.9 (1.38)	9.5 (0.374)
B15V01T14*	3/4" NPT-F	76.2 (3)	53.5 (2.1)	34.9 (1.37)	36 (1.42)	10.9 (0.43)	19.05 (0.75)	7.1 (0.28)	1/4"-20 UNC	114.5 (4.5)	129.5 (5.09)	104 (4.10)	34.9 (1.38)	9.5 (0.374)
B15V01T15*	1" NPT-F	76.2 (3)	53.5 (2.1)	34.9 (1.37)	36 (1.42)	10.9 (0.43)	19.05 (0.75)	7.1 (0.28)	1/4"-20 UNC	114.5 (4.5)	158.3 (6.2)	104 (4.10)	44.45 (1.75)	9.5 (0.374)

* = on request, minimum quantity may be requested

Ball Valves

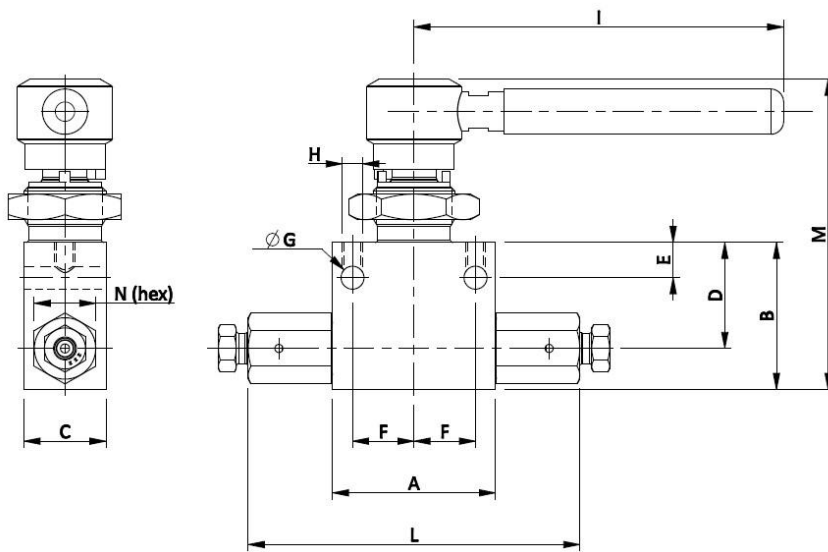
B20-Series Ball Valve

20,000 psi

Sami Instruments high pressure valves are designed for flow control and are available in various tubing sizes to satisfy different requirements. Connections from 1/4" to 3/4" O.D.

Specifications

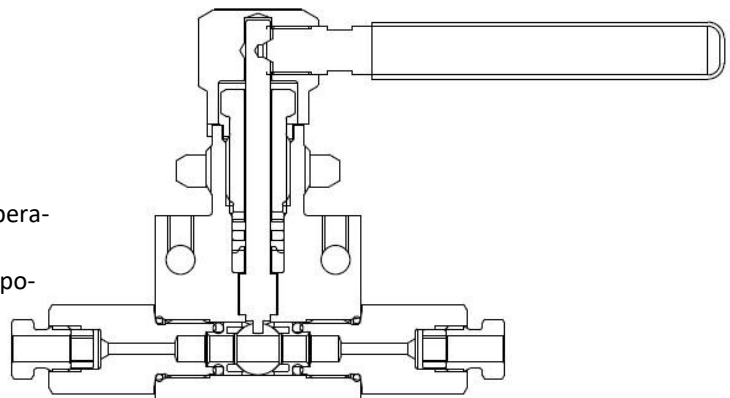
- Pressure 20,000 Psi (1380 Bar)
- Positive sealing ensured by pressure loaded seats
- Maximum safety ensured by blowout-proof stem and ball
- Versatile installation thanks to wide choice of replaceable connections.
- Minimum pressure drop assured by straight through flow path.



PLEASE NOTICE: Sami's B20 series ball valves are not suitable for gas medium

Features

- 316 cold-worked stainless steel body and side adapters
- PEEK ball seals
- Stem packings in glass-filled Teflon
- Viton o-rings
- Quick open and close thanks to quarter-turn operation
- Flow indicating handle allows to indicate valve position at a glance
- Bi-directional flow capabilities.
- Panel mounting: 1.06" (26.0 mm) dia
0.43" (11.0 mm) max thickness



Order code	Connections Inlet/outlet	A (mm) (inch)	B (mm) (inch)	C (mm) (inch)	D (mm) (inch)	E (mm) (inch)	F (mm) (inch)	G (mm) (inch)	H (mm) (inch)	I (mm) (inch)	L (mm) (inch)	M (mm) (inch)	N (mm) (inch)	Orifice mm (inch)
B20V01T01	1/4" O.D.	50.5 (1.99)	45.5 (1.79)	25.4 (1)	32.8 (1.29)	10.9 (0.43)	19.05 (0.75)	7.1 (0.28)	1/4"-20 UNC	114 (4.49)	102.7 (4.04)	96 (3.78)	19.05 (0.75)	2.8 (0.11)
B20V01T02	3/8" O.D.	50.5 (1.99)	45.5 (1.79)	25.4 (1)	32.8 (1.29)	10.9 (0.43)	19.05 (0.75)	7.1 (0.28)	1/4"-20 UNC	114 (4.49)	102.7 (4.04)	96 (3.78)	19.05 (0.75)	5.2 (0.205)
B20V01T03	9/16" O.D.	76.2 (3)	53.45 (2.1)	34.9 (1.37)	36 (1.42)	10.9 (0.43)	19.05 (0.75)	7.1 (0.28)	1/4"-20 UNC	114 (4.49)	143 (5.63)	104 (4.09)	34.9 (1.375)	9 (0.354)
B20V01T04*	3/4" O.D.	76.2 (3)	53.45 (2.1)	34.9 (1.37)	36 (1.42)	10.9 (0.43)	19.05 (0.75)	7.1 (0.28)	1/4"-20 UNC	114 (4.49)	153.5 (6.04)	104 (4.09)	34.9 (1.375)	9.5 (0.374)
B20V01T05*	1" O.D.	76.2 (3)	53.45 (2.1)	34.9 (1.37)	36 (1.42)	10.9 (0.43)	19.05 (0.75)	7.1 (0.28)	1/4"-20 UNC	114 (4.49)	177 (6.97)	104 (4.09)	44.45 (1.75)	9.5 (0.374)

* = on request, minimum quantity may be requested