

# ACHL SERIES Single-Acting, Single Air Drive with Hand Lever

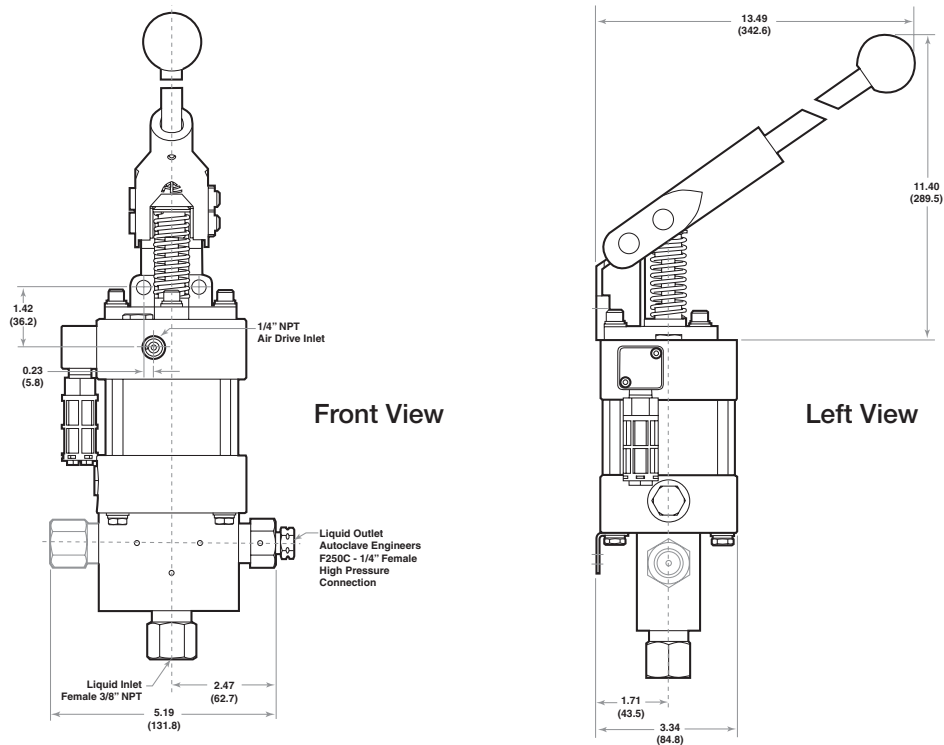
- Single-Acting, Single Air Drive with Hand Lever
- Service: Oil, Water, Water/Oil mixture and other fluids depending on material compatibility
- Standard Hand Lever for precise pressure control, remote locations or emergency back-up applications.
- Maximum Operating Temperature: 0-140° F (-18° to 60° C)
- Net Weight: 8 lbs. (3.6 kg)
- Pressure Head: 316 Stainless Steel
- Plunger: 440 Stainless Steel
- Check Valve Glands: 15-5PH Stainless Steel
- Liquid Seal: see Ordering Guide for options
- Air Drive Seals: Buna N

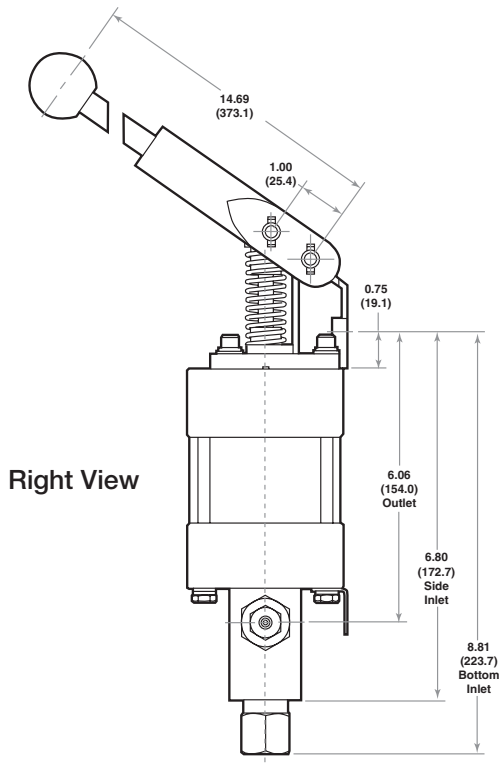


## Reference Guide

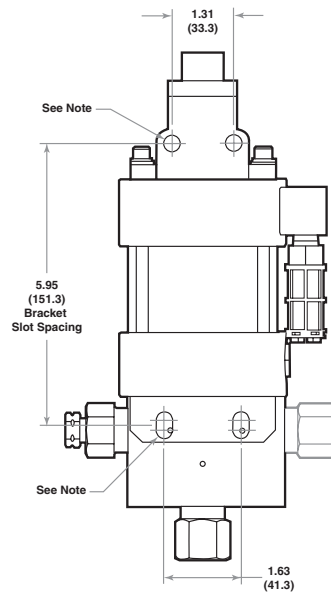
Pump Model Series	Pressure Ratio	Maximum Rated Outlet Pressure PSI (bar)	Displacement Per Cycle .in <sup>3</sup> (cm <sup>3</sup> )	Liquid Connections	
				Inlet	Outlet
<b>ACHL Series</b>					
ACHL72-01	1:84	12,500 (862)	0.09 (1.47)	3/8" FNPT	F250C
ACHL189-01	1:213	31,900 (2,199)	0.035 (0.57)	3/8" FNPT	F250C

**Air Drive Connection** - All ACHL series pumps have a 1/4" FNPT main air drive supply connection





Right View



Bottom View

Note:

Each mounting bracket includes (2) x 11/32" (8.73) slots for 5/16" bolts.  
 Bottom inlet pump head and side inlet pump head are mutually exclusive.  
 All dimensions are for reference only and are subject to change without notice.  
 Primary dimensions: Inches  
 Secondary Dimensions: (Millimeters)

## Ordering Guide

Typical catalog number example: **ACHL189-01SNP**

(catalog number is created based on customer selection of product parameters, see below for example)

ACHL189-01	S	N	P
<b>Pump Series Type/Size/Ratio</b>	<b>Liquid Inlet Location</b>	<b>Isolation Chamber</b>	<b>Liquid Seal Material</b>
<b>ACHL</b> • Compact Liquid High Pressure Pump with hand lever • 3" Single Piston Air Drive • 1:213 Max. Air-to-Liquid Pressure Ratio • Maximum 31,900 psi (2,199 bar)	<b>S*</b> = Side <b>B</b> = Bottom	<b>N*</b> = None	<b>P*</b> = UHMWPE U-Cup with Elgiloy Spring Energizer <b>U</b> = Urethane U-Cup

\* Standard for stock pumps

## Flow Rate Table: Air Drive Pressure (psi) vs. Outlet Pressure (psi)

Catalog Number	Air Drive Pressure (psi)	Outlet Pressure (psi)											
		0	500	1,500	3,000	5,000	7,500	10,000	15,000	25,000	40,000	55,000	
ACHL72-01	60	42	32	17	9	1							in <sup>3</sup> /min.
	90	42	34	25	18	7	1						
	120	43	35	29	24	17	7	2					
ACHL189-01	60	15	15	15	15	14	13	8					
	90	15	15	15	15	15	13	11	7				
	120	15	15	15	15	15	13	12	8	1			