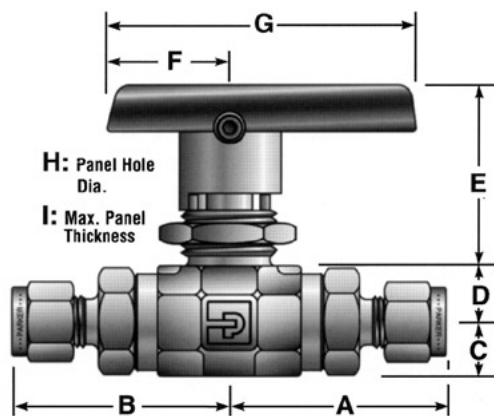


## Dimensions & Flow Data



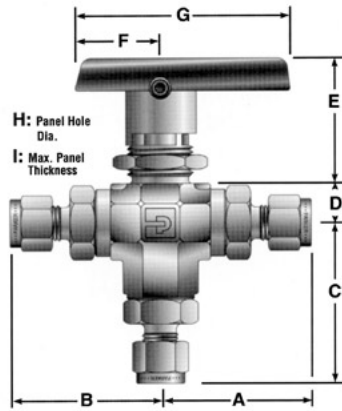
**Model Shown:  
4A-B6LJ-SSP**

Port Size	Basic Part #	Flow Data				End Connections		Dimensions Inches (mm)								
		Orifice		Cv	X <sub>T</sub> <sup>*</sup>	Port 1	Port 2	A†	B†	C	D	E	F	G	H	I
		Inch	mm													
1A	B2L	0.052	1.3	0.06	0.45	1/16" A-LOK®	1.30	1.30	0.33 (8.4)	0.33 (8.4)	0.94 (23.9)	0.75 (19.1)	1.88 (47.8)	0.58 (14.7)	0.13 (3.3)	
1Z						1/16" CPI™	(33.0)	(33.0)								
2A		0.093	2.4	0.21	0.47	1/8" A-LOK®	1.36	1.36								
2Z						1/8" CPI™	(34.5)	(34.5)								
2F		0.165	4.2	0.93	0.43	1/8" Female NPT	1.07	1.07								
2M		0.165	4.2	0.93	0.43	1/8" Male NPT	1.18	1.18								
4A		0.165	4.2	0.93	0.43	1/4" A-LOK®	1.48	1.48								
4Z						1/4" CPI™	(37.6)	(37.6)								
4M		0.165	4.2	0.93	0.43	1/4" Male NPT	1.35	1.35								
M3A		0.086	2.2	0.18	0.44	3mm A-LOK®	1.37	1.37								
M3Z						3mm CPI™	(34.8)	(34.8)								
4A		0.187	4.7	1.04	0.42	1/4" A-LOK®	1.74	1.74								
4Z	1/4" CPI™					(44.2)	(44.2)									
4F	0.250	6.4	2.34	0.29	1/4" Female NPT	1.51	1.51									
4M	0.250	6.4	2.34	0.29	1/4" Male NPT	1.62	1.62									
4Q	0.180	4.6	1.03	0.42	1/4" UltraSeal	1.51	1.51									
4V	0.188	4.8	1.04	0.42	1/4" VacuSeal	1.75	1.75									
6A	B6L	0.250	6.4	2.34	0.29	3/8" A-LOK®	1.80	1.80	0.42 (10.7)	0.47 (11.9)	1.53 (38.9)	1.00 (25.4)	2.50 (63.5)	0.77 (19.6)	0.25 (6.4)	
6Z						3/8" CPI™	(45.7)	(45.7)								
6M		0.250	6.4	2.34	0.29	3/8" Male NPT	1.62	1.62								
6Q		0.250	6.4	2.34	0.29	3/8" UltraSeal	1.51	1.51								
M6A		0.187	4.7	1.04	0.42	6mm A-LOK®	1.75	1.75								
M6Z						6mm CPI™	(44.5)	(44.5)								
M8A		0.250	6.4	2.34	0.42	8mm A-LOK®	1.78	1.78								
M8Z						8mm CPI™	(45.2)	(45.2)								
M10A		0.250	6.4	2.34	0.42	10mm A-LOK®	1.81	1.81								
M10Z						10mm CPI™	(46.0)	(46.0)								
6F		0.406	10.3	6.42	0.37	3/8" Female NPT	1.95	1.95								
8F		0.406	10.3	6.42	0.37	1/2" Female NPT	2.15	2.15								
8A	0.406	10.3	6.42	0.37	1/2" A-LOK®	2.34	2.34									
8Z					1/2" CPI™	(59.4)	(59.4)									
8M	0.406	10.3	6.42	0.37	1/2" Male NPT	2.22	2.22									
8Q	0.375	9.5	5.57	0.37	1/2" UltraSeal	1.92	1.92									
8V	0.406	10.3	6.42	0.37	1/2" VacuSeal	2.21	2.21									
12A	0.406	10.3	6.42	0.37	3/4" A-LOK®	2.33	2.33									
12Z					3/4" CPI™	(59.2)	(59.2)									
12F	0.406	10.3	6.42	0.37	3/4" Female NPT	2.25	2.25									
M12A	0.375	9.5	5.57	0.37	12mm A-LOK®	2.33	2.33									
M12Z					12mm CPI™	(59.2)	(59.2)									
M16A	0.406	10.3	6.42	0.37	16mm A-LOK®	2.33	2.33									
M16Z					16mm CPI™	(59.2)	(59.2)									

\* Tested in accordance with ISA S75.02. Gas flow will be choked when  $P_1 - P_2 / P_1 = X_T$ .  
 † For CPI™ and A-LOK®, dimensions are measured with nuts in the finger tight position

## Dimensions & Flow Data

B



**Model Shown:**  
**4Z-B6XSPKR-V-SSP**

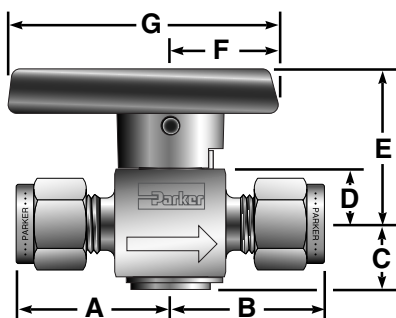
Port Size	Basic Part #	Flow Data				End Connections			Dimensions Inches (mm)						
		Orifice		Cv	X <sub>T</sub> *	Port 1	Port 2	Port 3	A†	B†	C	D	E	F	G
Inch	mm														
1A	B2X	0.052	1.3	0.06	0.56	1/16" A-LOK®	1.30	1.30	1.39	0.33 (8.4)	0.94 (23.9)	0.75 (19.1)	1.88 (47.8)	0.58 (14.7)	0.13 (3.3)
1Z						1/16" CPI™	(33.0)	(33.0)	(35.3)						
2A		0.093	2.4	0.21	0.64	1/8" A-LOK®	1.36	1.36	1.45						
2Z						1/8" CPI™	(34.5)	(34.5)	(36.8)						
2F		0.165	4.2	0.63	0.59	1/8" Female NPT	1.07 (27.2)	1.07 (27.2)	1.15 (29.2)						
2M		0.165	4.2	0.63	0.59	1/8" Male NPT	1.18 (30.0)	1.18 (30.0)	1.26 (32.0)						
4A		0.165	4.2	0.63	0.59	1/4" A-LOK®	1.48	1.48	1.56						
4Z						1/4" CPI™	(37.6)	(37.6)	(39.6)						
4M		0.165	4.2	0.63	0.59	1/4" Male NPT	1.35 (34.3)	1.35 (34.3)	1.43 (36.3)						
M3A		0.086	2.2	0.18	0.63	3mm A-LOK®	1.37	1.37	1.45						
M3Z						3mm CPI™	(34.8)	(34.8)	(36.8)						
4A		0.187	4.7	0.70	0.69	1/4" A-LOK®	1.74	1.74	1.88						
4Z	1/4" CPI™					(44.2)	(44.2)	(47.8)							
4F	0.196	5.0	0.87	0.74	1/4" Female NPT	1.51 (38.4)	1.51 (38.4)	1.65 (41.9)							
4M	0.196	5.0	0.87	0.74	1/4" Male NPT	1.62 (41.1)	1.62 (41.1)	1.76 (44.7)							
4Q	0.180	4.6	0.68	0.67	1/4" UltraSeal	1.51 (31.8)	1.51 (31.8)	1.65 (33.8)							
4V	0.188	4.8	0.70	0.69	1/4" VacuSeal	1.75 (35.1)	1.75 (35.1)	1.89 (37.1)							
6A	0.196	5.0	0.87	0.74	3/8" A-LOK®	1.80	1.80	1.94							
6Z					3/8" CPI™	(45.7)	(45.7)	(49.3)							
6M	0.196	5.0	0.87	0.74	3/8" Male NPT	1.62 (41.1)	1.62 (41.1)	1.76 (44.7)							
6Q	0.196	5.0	0.87	0.74	3/8" UltraSeal	1.52 (38.6)	1.52 (38.6)	1.65 (41.9)							
M6A	0.187	4.7	0.70	0.69	6mm A-LOK®	1.75	1.75	1.88							
M6Z					6mm CPI™	(44.5)	(44.5)	(47.8)							
M8A	0.196	5.0	0.87	0.74	8mm A-LOK®	1.78	1.78	1.91							
M8Z					8mm CPI™	(45.2)	(45.2)	(48.5)							
M10A	0.196	5.0	0.87	0.74	10mm A-LOK®	1.81	1.81	1.95							
M10Z					10mm CPI™	(46.0)	(46.0)	(49.5)							
6F	0.406	10.3	3.62	0.64	3/8" Female NPT	1.95 (49.5)	1.95 (49.5)	2.29 (58.2)							
8A	0.406	10.3	3.62	0.64	1/2" A-LOK®	2.34	2.34	2.68							
8Z					1/2" CPI™	(59.4)	(59.4)	(68.1)							
8F	0.406	10.3	3.62	0.64	1/2" Female NPT	2.15 (54.6)	2.15 (54.6)	2.49 (63.2)							
8M	0.406	10.3	3.62	0.64	1/2" Male NPT	2.22 (56.4)	2.22 (56.4)	2.59 (65.8)							
8Q	0.375	9.5	3.46	0.62	1/2" UltraSeal	1.93 (49.5)	1.93 (49.5)	2.27 (57.7)							
8V	0.406	10.3	3.62	0.64	1/2" VacuSeal	2.21 (56.1)	2.21 (56.1)	2.55 (65.0)							
12A	0.406	10.3	3.62	0.64	3/4" A-LOK®	2.33	2.33	2.68							
12Z					3/4" CPI™	(59.2)	(59.2)	(68.1)							
12F	0.406	10.3	6.42	0.37	3/4" Female NPT	2.25 (57.1)	2.25 (57.1)	2.59 (65.8)							
M12A	0.375	9.5	3.46	0.62	12mm A-LOK®	2.33	2.33	2.67							
M12Z					12mm CPI™	(59.2)	(59.2)	(67.8)							
M16A	0.406	10.3	3.62	0.64	16mm A-LOK®	2.33	2.33	2.67							
M16Z					16mm CPI™	(56.9)	(56.9)	(65.5)							

\* Tested in accordance with ISA S75.02. Gas flow will be choked when  $P_1 - P_2 / P_1 = x_T$ .

† For CPI™ and A-LOK®, dimensions are measured with nuts in the finger tight position

## Flow Data / Dimensions

PR


**Model Shown: 4A-PR4-VT-B**

Port Size	Basic Part #	Flow Data				End Connections		Dimensions Inches (mm)					
		Orifice		Cv	X <sub>T</sub> *	Port 1	Port 2	A †	B †	C	D	E	F
Inch	mm												
2F	PR4	0.193	4.9	1.24	0.39	1/8" Female NPT	0.89 (22.6)	0.89 (22.6)	0.46 (11.7)	0.38 (9.7)	1.07 (27.2)	0.75 (19.1)	1.88 (47.8)
2M		0.172	4.4	1.02	0.39	1/8" Male NPT	0.77 (19.6)	0.77 (19.6)					
2A		0.093	2.4	0.22	0.48	1/8" A-LOK®	1.00	1.00					
2Z						1/8" CPI™	(25.4)	(25.4)					
4F		0.193	4.9	1.24	0.39	1/4" Female NPT	1.05 (26.7)	1.05 (26.7)					
4M		0.193	4.9	1.24	0.39	1/4" Male NPT	0.96 (24.4)	0.96 (24.4)					
4A		0.187	4.7	1.18	0.41	1/4" A-LOK®	1.09	1.09					
4Z						1/4" CPI™	(27.7)	(27.7)					
4Q		0.187	4.7	1.18	0.41	1/4" UltraSeal	0.85 (21.7)	0.85 (21.7)					
4V		0.187	4.7	1.18	0.41	1/4" VacuSeal	1.02 (25.9)	1.02 (25.9)					
6M		0.193	4.9	1.24	0.39	3/8" Male NPT	0.94 (23.9)	0.94 (23.9)					
6A		0.193	4.9	1.24	0.39	3/8" A-LOK®	1.14	1.14					
6Z						3/8" CPI™	(29.0)	(29.0)					
M3A		0.086	2.2	0.15	0.48	3mm A-LOK®	0.98	0.98					
M3Z						3mm CPI™	(24.9)	(24.9)					
M6A		0.188	4.8	1.18	0.41	6mm A-LOK®	1.08	1.08					
M6Z						6mm CPI™	(27.4)	(27.4)					
M8A		0.193	4.9	1.24	0.48	8mm A-LOK®	1.11	1.11					
M8Z	8mm CPI™					(28.2)	(28.2)						
4F	PR6	0.281	7.1	3.19	0.28	1/4" Female NPT	1.19 (30.2)	1.19 (30.2)	0.67 (17.0)	0.56 (14.2)	1.49 (37.8)	0.99 (25.1)	2.40 (61.0)
6A		0.281	7.1	3.19	0.28	3/8" A-LOK®	1.33	1.33					
6Z						3/8" CPI™	(33.8)	(33.8)					
8F		0.281	7.1	3.19	0.28	1/2" Female NPT	1.44 (36.6)	1.44 (36.6)					
8M		0.281	7.1	3.19	0.28	1/2" Male NPT	1.32 (33.5)	1.32 (33.5)					
8A		0.281	7.1	3.19	0.28	1/2" A-LOK®	1.44	1.44					
8Z						1/2" CPI™	(36.6)	(36.6)					
M8A		0.250	6.4	2.84	0.29	8mm A-LOK®	1.30	1.30					
M8Z						8mm CPI™	(33.0)	(33.0)					
M10A		0.281	7.1	3.19	0.28	10mm A-LOK®	1.34	1.34					
M10Z						10mm CPI™	(34.0)	(34.0)					
M12A		0.281	7.1	3.19	0.28	12mm A-LOK®	1.47	1.47					
M12Z	12mm CPI™					(37.3)	(37.3)						

\* Tested in accordance with ISA S75.02. Gas flow will be choked when  $P_1 - P_2 / P_1 = x_T$ .

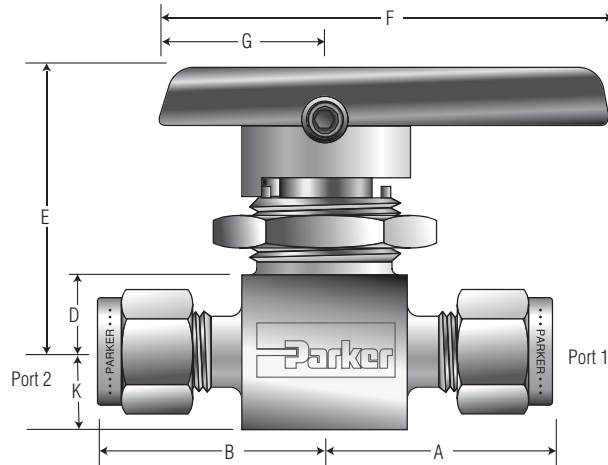
† For CPI™ and A-LOK®, dimensions are measured with nuts in the finger tight position.

# Two-Way In-Line MB Series Ball Valves

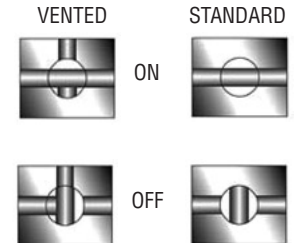
## Two-Way In-Line Dimensions, Flow Data

### Two-Way In-Line

Vented - In off position the downstream port vents to atmosphere through a hole in the side of the body.



H - Maximum Panel Thickness  
I - Panel Hole Diameter  
J - Body Width



**MB**

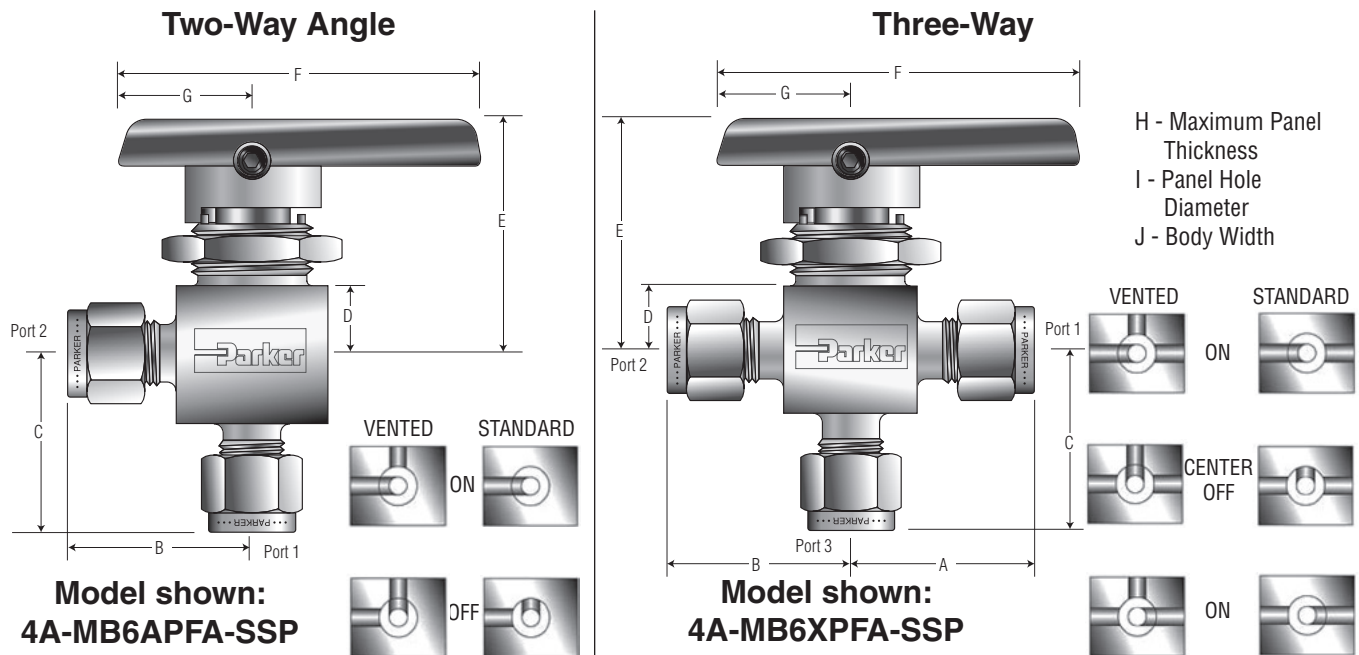
Model shown: 4A-MB6LPFA-SSP

Port Size	Basic Part #	Flow Data				End Connections		Dimensions Inches (mm)									
		Orifice		Cv	X <sub>T</sub> *	Port 1	Port 2	A†	B†	D	E	F	G	H	I	J	K
		Inch	mm														
1Z	MB2L	0.052	1.3	0.03	0.46	1/16" CPI™	0.84	0.84	0.34	1.31	1.88	0.75	0.25	0.58	0.58	0.28	
1A						1/16" A-LOK®	(21.3)	(21.3)									
2Z		0.093	2.4	0.20	0.42	1/8" CPI™	1.00	1.00									
2A						1/8" A-LOK®	(25.4)	(25.4)									
M3Z		0.086	2.2	0.17	0.43	3mm CPI™	1.00	1.00									
M3A	3mm A-LOK®					(25.4)	(25.4)										
2F	MB4L	0.125	3.2	0.44	0.34	1/8" Female NPT	0.81	0.81	0.34	1.31	1.88	0.75	0.25	0.58	0.58	0.28	
4Z						1/4" CPI™	1.12	1.12									
4A						1/4" A-LOK®	(28.5)	(28.5)									
M6Z						6mm CPI™	1.12	1.12									
M6A						6mm A-LOK®	(28.5)	(28.5)									
2Z	MB6L	0.093	2.4	0.18	0.55	1/8" CPI™	1.09	1.09	0.44	1.56	2.37	0.88	0.25	0.77	0.80	0.38	
2A						1/8" A-LOK®	(27.7)	(27.7)									
2F		1/8" Female NPT	1.00	1.00													
4M		1/4" Male NPT	1.00	1.00													
4Z		1/4" CPI™	1.19	1.19													
4A		1/4" A-LOK®	(30.2)	(30.2)													
4F		1/4" Female NPT	1.03	1.03													
4M4Z		1/4" Male NPT	1.00	1.19													
4M4A		1/4" Male NPT	1/4" A-LOK®	(25.4)	(30.2)												
4V		1/4" VacuSeal	1.03	1.03													
6Z		3/8" CPI™	1.31	1.31													
6A		3/8" A-LOK®	(33.3)	(33.3)													
M6Z		6mm CPI™	1.19	1.19													
M6A		6mm A-LOK®	(30.2)	(30.2)													
M8Z		8mm CPI™	1.22	1.22													
M8A	8mm A-LOK®	(31.0)	(31.0)														
8A	MB8L	0.406	10.3	10.7	0.16	1/2" A-LOK®	1.94	1.94	0.69	2.39	4.50	1.50	0.38	1.50	1.50	0.69	
8Z						1/2" A-CPI™	(49.3)	(49.3)									
8F		1/2" FNPT	1.56	1.56													
12A		3/4" A-LOK®	(39.6)	(39.6)													
12Z		3/4" CPI™	(49.3)	(49.3)													
M12A	0.375	9.5	10.7	0.16	12mm A-LOK®	1.96	1.96										
M12Z					12mm CPI™	(49.8)	(49.8)										

\* Tested in accordance with ISA S75.02. Gas flow will be choked when  $P_1 - P_2 / P_1 = x_T$ .

† For CPI™ and A-LOK®, dimensions are measured with nuts in the finger tight position.

## Two-Way Angle and Three-Way Dimensions, Flow Data



Port Size	Basic Part #	Flow Data				End Connections			Dimensions Inches (mm)									
		Inch	mm	Cv	X <sub>T</sub> *	Port 1	Port 2	Port 3 ‡	A †	B †	C	C	E	F	G	H	I	J
1Z	MB2A MB2X	0.052	1.3	0.02	0.58	1/16" CPI™			0.84	0.84	0.81	0.34	1.31	1.88	0.75	0.25	0.58	0.58
1A						1/16" A-LOK®			(21.3)	(21.3)	(20.6)							
2Z		1/8" CPI™			1.00	1.00	0.97											
2A		1/8" A-LOK®			(25.4)	(25.4)	(24.6)											
M3Z		3mm CPI™			1.00	1.00	0.97											
M3A	3mm A-LOK®			(25.4)	(25.4)	(24.6)												
2F	MB4A MB4X	0.125	3.2	0.34	0.45	1/8" Female NPT			0.81	0.81	0.81	0.34	1.31	1.88	0.75	0.25	0.58	0.58
4Z						1/4" CPI™			1.12	1.12	1.12							
4A						1/4" A-LOK®			(28.4)	(28.4)	(28.4)							
M6Z						6mm CPI™			1.12	1.12	1.12							
M6A						6mm A-LOK®			(28.4)	(28.4)	(28.4)							
4Z	MB6A MB6X	0.187	4.7	0.70	0.58	1/4" CPI™			1.19	1.19	1.15	0.44	1.56	2.37	0.88	0.25	0.77	0.80
4A						1/4" A-LOK®			(30.2)	(30.2)	(29.2)							
4F						1/4" Female NPT			1.03	1.03	1.03							
									(26.2)	(26.2)	(26.2)							
						1/4" VacuSeal			1.03	1.03	1.03							
4V									(26.2)	(26.2)	(26.2)							
						1/4" CPI™ 1/4" CPI™ 1/4" Male NPT			1.19	1.19	1.03							
4Z4Z4M						1/4" A-LOK® 1/4" A-LOK® 1/4" Male NPT			(30.2)	(30.2)	(26.2)							
4A4A4M						3/8" CPI™			1.31	1.31	1.23							
6Z						3/8" A-LOK®			(33.3)	(33.3)	(31.2)							
M6Z						6mm CPI™			1.19	1.19	1.15							
M6A						6mm A-LOK®			(30.2)	(30.2)	(29.2)							
M8Z						8mm CPI™			1.22	1.22	1.18							
M8A						8mm A-LOK®			(31.0)	(31.0)	(30.0)							
8A						MB8A MB8X	0.406	10.3	5.4	0.36	1/2" A-LOK®							
8Z	1/2" A-CPI™			(44.5)	(44.5)						(44.5)							
8F	1/2" Female NPT			1.56	1.56		1.56											
				(39.6)	(39.6)		(39.6)											
12A	3/4" A-LOK®			1.75	1.75		1.75											
12Z	3/4" CPI™			(44.5)	(44.5)		(44.5)											
M12A	12mm A-LOK®			1.75	1.75		1.75											
M12Z	12mm CPI™			(44.5)	(44.5)		(44.5)											

\* Tested in accordance with ISA S75.02. Gas flow will be choked when  $P_1 - P_2 / P_1 = x_T$ .

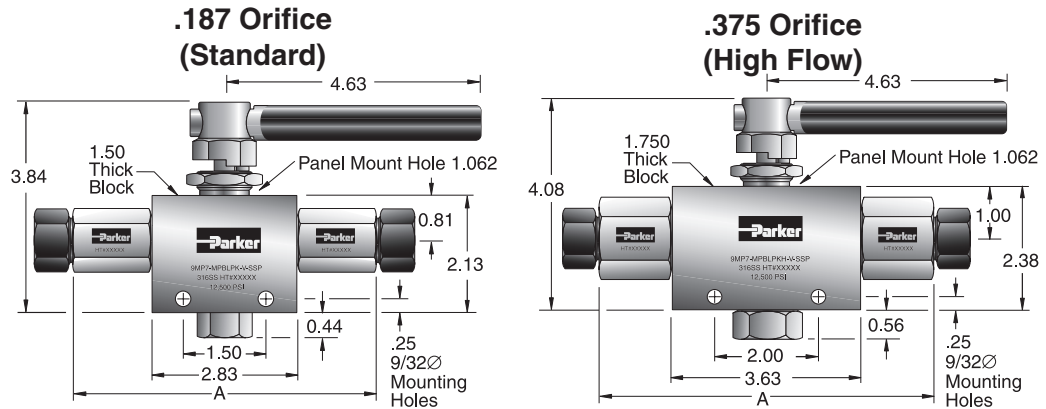
‡ Not applicable for the two-way Angle pattern.

† For CPI™ and A-LOK®, dimensions are measured with nuts in the finger tight position.

## MPB Series Valves

Parker MPB series manually, pneumatically and electrically actuated two-way and three-way ball valves are designed for 1/4 and 1/2 turn media shutoff or switching applications up to 20,000 psi. Our trunion style ball design and spring loaded seats make the MPB series ideal for severe service applications. The end connector design enables a variety of end connections and combinations for specific customer applications.

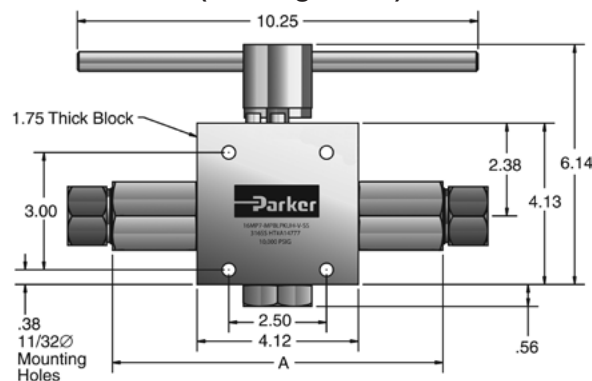
### Two Way Ball Valves



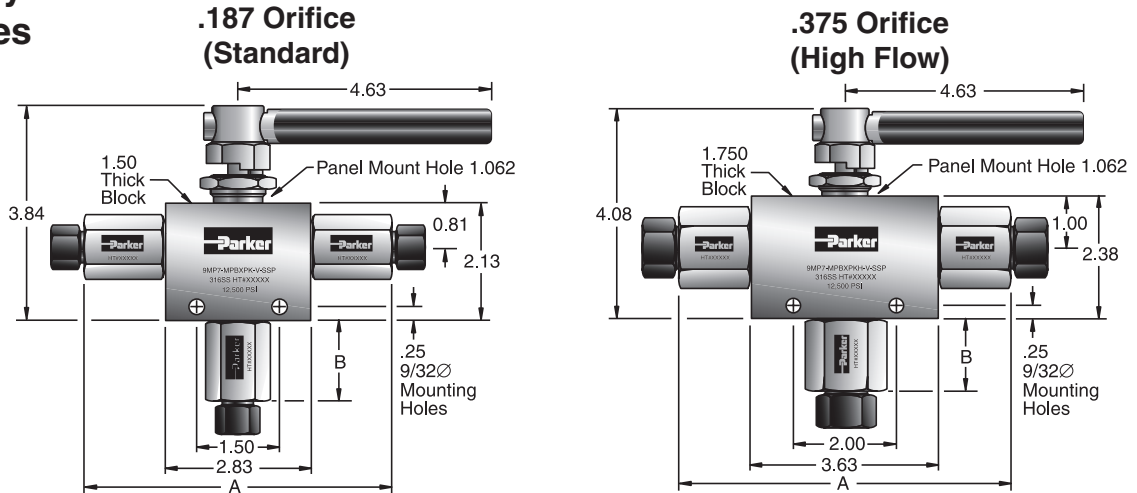
MPB

Tubing	Parker Part No.	PSI	Connection	Inches			
				Orifice	Minimum Orifice	C <sub>v</sub>	A
<b>Standard</b>							
1/8" O.D.	2F-MPBLPK-V-SSP	15,000	1/8" NPT	0.187	0.187	1.45	4.63
1/4" O.D.	4F-MPBLPK-V-SSP	15,000	1/4" NPT	0.187	0.187	1.45	4.63
1/4" O.D.	4MP7-MPBLPK-V-SSP	15,000	1/4" MPI	0.187	0.125	0.45	5.00
3/8" O.D.	6F-MPBLPK-V-SSP	15,000	3/8" NPT	0.187	0.187	1.45	4.65
3/8" O.D.	6MP7-MPBLPK-V-SSP	15,000	3/8" MPI	0.187	0.187	1.45	5.00
1/2" O.D.	8MP7-MPBLPK-V-SSP	15,000	1/2" MPI	0.187	0.187	1.45	5.50
9/16" O.D.	9MP7-MPBLPK-V-SSP	15,000	9/16" MPI	0.187	0.187	1.45	5.50
<b>High Flow (H)</b>							
1/2" O.D.	8F-MPBLPKH-V-SSP	15,000	1/2" NPT	0.375	0.375	6.08	5.63
1/2" O.D.	8MP7-MPBLPKH-V-SSP	15,000	1/2" MPI	0.375	0.359	5.82	6.44
9/16" O.D.	9MP7-MPBLPKH-V-SSP	15,000	9/16" MPI	0.375	0.359	5.82	6.44
3/4" O.D.	12MP7-MPBLPKH-V-SSP	15,000	3/4" MPI	0.375	0.375	6.08	6.67
1" O.D.	16MP7-MPBLPKH-V-SSP	12,500	1" MPI	0.375	0.375	6.08	7.45
<b>Ultra High Flow (UH)</b>							
3/4" O.D.	12 MP7-MPBLPKUH-V-SSP	10,000	3/4" MPI	0.500	0.469	7.60	6.86
1" O.D.	16MP7-MPBLPKUH-V-SSP	10,000	1" MPI	0.500	0.500	8.80	8.48

### .500 Orifice Two-Way (UltraHigh Flow)

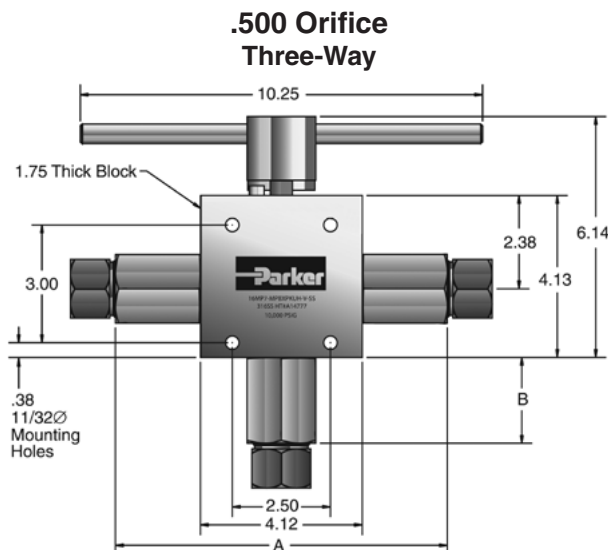


## Three Way Ball Valves

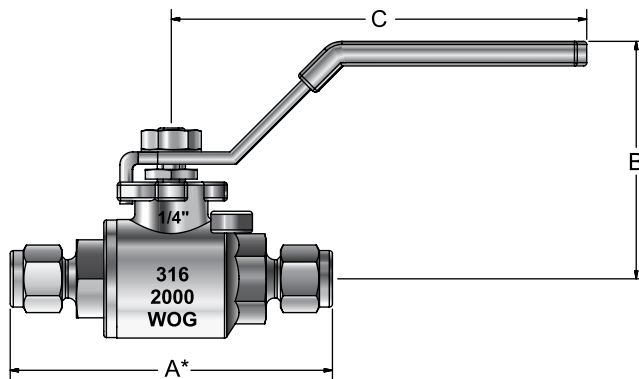


Tubing	Diverter 3-Way 90°	SSelector 3-Way 180°	PSI	Connection	Inches				
					Orifice	Minimum Orifice	C <sub>v</sub>	A	B
<b>Standard</b>									
1/8" O.D.	2F-MPBXPKD-V-SSP	2F-MPBXPK-V-SSP	15,000	1/8" NPT	0.187	0.187	0.71	4.63	0.50
1/4" O.D.	4F-MPBXPKD-V-SSP	4F-MPBXPK-V-SSP	15,000	1/4" NPT	0.187	0.187	0.71	4.63	1.06
1/4" O.D.	4MP7-MPBXPKD-V-SSP	4MP7-MPBXPK-V-SSP	15,000	1/4" MPI	0.187	0.125	0.18	5.00	1.18
3/8" O.D.	6F-MPBXPKD-V-SSP	6F-MPBXPK-V-SSP	15,000	3/8" NPT	0.187	0.187	0.71	4.65	1.06
3/8" O.D.	6MP7-MPBXPKD-V-SSP	6MP7-MPBXPK-V-SSP	15,000	3/8" MPI	0.187	0.187	0.71	5.00	1.18
1/2" O.D.	8MP7-MPBXPKD-V-SSP	8MP7-MPBXPK-V-SSP	15,000	1/2" MPI	0.187	0.187	0.71	5.50	1.44
9/16" O.D.	9MP7-MPBXPKD-V-SSP	9MP7-MPBXPK-V-SSP	15,000	9/16" MPI	0.187	0.187	0.71	5.50	1.44
<b>High Flow (H)</b>									
1/2" O.D.	8F-MPBXPKDH-V-SSP	8F-MPBXPKH-V-SSP	15,000	1/2" NPT	0.375	0.375	2.40	5.63	1.06
1/2" O.D.	8MP7-MPBXPKDH-V-SSP	8MP7-MPBXPKH-V-SSP	15,000	1/2" MPI	0.375	0.359	2.30	6.44	1.37
9/16" O.D.	9MP7-MPBXPKDH-V-SSP	9MP7-MPBXPKH-V-SSP	15,000	9/16" MPI	0.375	0.359	2.30	6.44	1.37
3/4" O.D.	12MP7-MPBXPKDH-V-SSP	12MP7-MPBXPKH-V-SSP	15,000	3/4" MPI	0.375	0.375	2.40	6.67	1.18
1" O.D.	16MP7-MPBXPKDH-V-SSP	16MP7-MPBXPKH-V-SSP	15,000	1" MPI	0.375	0.375	2.40	7.45	1.99
<b>Ultra High Flow (UH)</b>									
3/4" O.D.	12MP7-MPBXPKDUH-V-SSP	12MP7-MPBXPKUH-V-SSP	10,000	3/4" MPI	0.500	0.469	3.20	6.86	1.37
1" O.D.	16MP7-MPBXPKDUH-V-SSP	16MP7-MPBXPKUH-V-SSP	10,000	1" MPI	0.500	0.500	3.80	8.48	2.18

Locking Devices – Add suffix “LD” to the end of the part number.  
 Example: 9MP7-MPBLPKH-V-SS-LD



## Dimensions

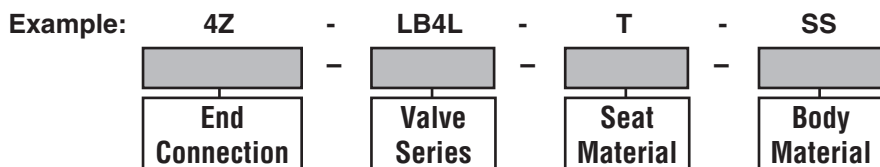


Port Size	Base Part #	Orifice		Cv	End Connections	Dimensions Inch (mm)		
		Inch	mm			A	B	C
4A	LB4L	0.141	3.6	0.46	1/4" A-LOK®	3.38 (85.8)	1.85 (47.0)	3.98 (101.1)
4Z					1/4" CPI™			
6A	LB6L	0.285	7.2	2.14	3/8" A-LOK®	3.38 (85.7)	1.97 (50.0)	4.76 (137.0)
6Z					3/8" CPI™			
8A	LB8L	0.406	10.3	5.10	1/2" A-LOK®	4.07 (103.4)	2.99 (76.0)	5.39 (137.0)
8Z					1/2" CPI™			
12A	LB12L	0.648	16.5	16.60	3/4" A-LOK®	4.46 (113.3)	3.19 (81.0)	5.39 (137.0)
12Z					3/4" CPI™			
16A	LB16L	0.859	21.8	33.50	1" A-LOK®	5.16 (131.1)	3.19 (81.0)	5.39 (137.0)
16Z					1" CPI™			

## How to Order

The correct part number is easily derived from the following example and ordering chart. The four product characteristics required are coded as shown in the chart.

The example below describes a two-way, stainless steel LB4 series ball valve with 1/4" CPI™ inlet and outlet compression ports, PTFE seats and packing, and stainless steel body construction.



End Connection	Valve Series	Seat Material	Body Material
4A 1/4" A-LOK®	LB4L	T PTFE	SS Stainless Steel
4Z 1/4" CPI™			
6A 3/8" A-LOK®	LB6L		
6Z 3/8" CPI™			
8A 1/2" A-LOK®	LB8L		
8Z 1/2" CPI™			
12A 3/4" A-LOK®	LB12L		
12Z 3/4" CPI™			
16A 1" A-LOK®	LB16L		
16Z 1" CPI™			

LB