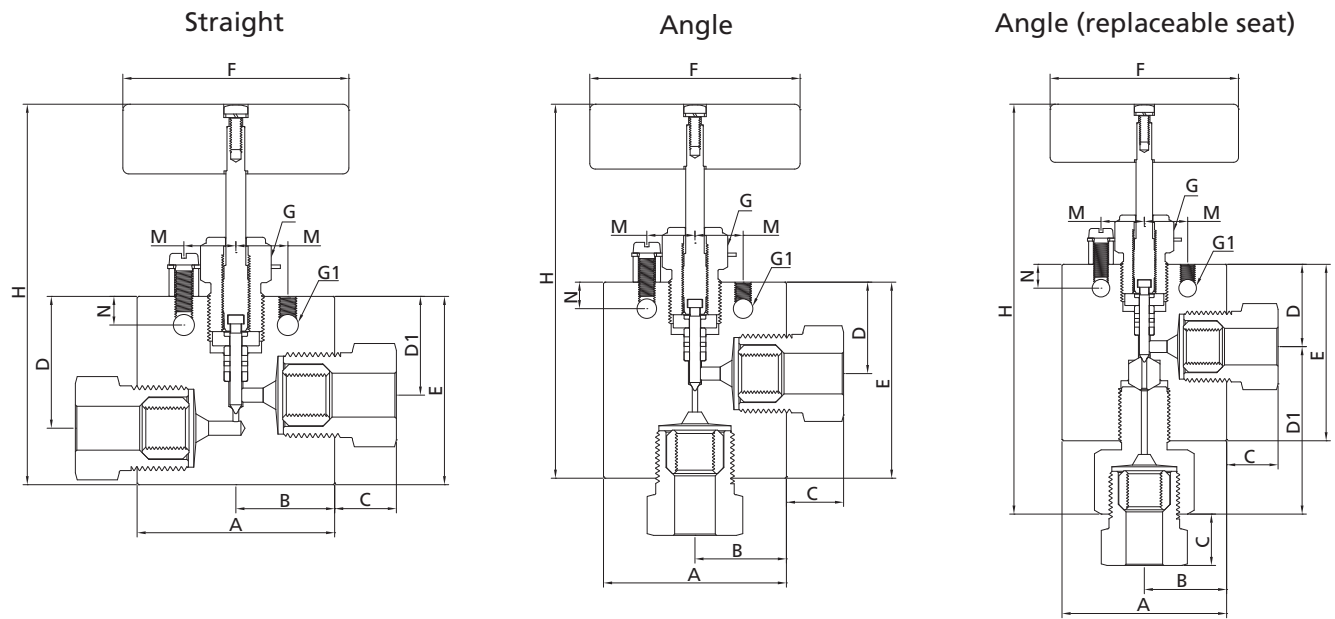


Ordering Information and Dimensions (Tubing Connection, 2-Way)



Straight															
Ordering Number	Connection	Orifice in. (mm)	Dimensions, in. (mm)												
			A	B	C	D	D1	E	F	G	G1	H	M	N	Thickness
60NSS-6FH4-1	6FH4	0.063 (1.59)	2.00 (50.8)	1.00 (25.4)	0.47 (11.9)	1.69 (42.9)	1.31 (33.3)	2.13 (54.0)	3.00 (76.2)	1.00 (25.4)	0.22 (5.6)	4.77 (121.1)	0.69 (17.5)	0.38 (9.7)	1.00 (25.4)
60NSS-6FH6-1	6FH6	0.063 (1.59)	2.00 (50.8)	1.00 (25.4)	0.61 (15.6)	1.69 (42.9)	1.31 (33.3)	2.25 (57.2)	3.00 (76.2)	1.00 (25.4)	0.22 (5.6)	4.89 (124.3)	0.69 (17.5)	0.38 (9.7)	1.00 (25.4)
60NSS-6FH9-1	6FH9	0.078 (1.98)	2.62 (66.6)	1.31 (33.3)	0.95 (24.1)	1.75 (44.5)	1.31 (33.3)	2.50 (63.5)	3.00 (76.2)	1.00 (25.4)	0.28 (7.1)	5.14 (130.6)	0.69 (17.5)	0.38 (9.7)	1.50 (38.1)

Angle															
Ordering Number	Connection	Orifice in. (mm)	Dimensions, in. (mm)												
			A	B	C	D	D1	E	F	G	G1	H	M	N	Thickness
60NSS-6FH4-2	6FH4	0.063 (1.59)	2.00 (50.8)	1.00 (25.4)	0.47 (11.9)	1.31 (33.3)	2.38 (60.5)	3.00 (76.2)	1.00 (25.4)	0.22 (5.6)	5.02 (127.5)	0.69 (17.5)	0.38 (9.7)	1.00 (25.4)	
60NSS-6FH6-2	6FH6	0.063 (1.59)	2.00 (50.8)	1.00 (25.4)	0.61 (15.6)	1.31 (33.3)	2.62 (66.6)	3.00 (76.2)	1.00 (25.4)	0.22 (5.6)	5.26 (133.5)	0.69 (17.5)	0.38 (9.7)	1.00 (25.4)	
60NSS-6FH9-2	6FH9	0.078 (1.98)	2.62 (66.6)	1.31 (33.3)	0.95 (24.1)	1.31 (33.3)	2.81 (71.4)	3.00 (76.2)	1.00 (25.4)	0.28 (7.1)	5.45 (138.5)	0.69 (17.5)	0.38 (9.7)	1.50 (38.1)	

Angle (replaceable seat)															
Ordering Number	Connection	Orifice in. (mm)	Dimensions, in. (mm)												
			A	B	C	D	D1	E	F	G	G1	H	M	N	Thickness
60NSS-6FH4-3	6FH4	0.063 (1.59)	2.00 (50.8)	1.00 (25.4)	0.47 (11.9)	1.31 (33.3)	2.12 (53.9)	2.62 (66.6)	3.00 (76.2)	1.00 (25.4)	0.22 (5.6)	6.07 (154.1)	0.69 (17.5)	0.38 (9.7)	1.00 (25.4)
60NSS-6FH6-3	6FH6	0.063 (1.59)	2.00 (50.8)	1.00 (25.4)	0.61 (15.6)	1.31 (33.3)	2.36 (59.9)	2.62 (66.6)	3.00 (76.2)	1.00 (25.4)	0.22 (5.6)	6.30 (160.1)	0.69 (17.5)	0.38 (9.7)	1.00 (25.4)
60NSS-6FH9-3	6FH9	0.078 (1.98)	2.62 (66.6)	1.31 (33.3)	0.95 (24.1)	1.31 (33.3)	2.68 (68.8)	2.62 (66.6)	3.00 (76.2)	1.00 (25.4)	0.28 (7.1)	6.65 (168.9)	0.69 (17.5)	0.38 (9.7)	1.50 (38.1)

Medium & High Pressure Fittings and Tubing

Quick Couplings

Medium & High Pressure Valves

Line Filters

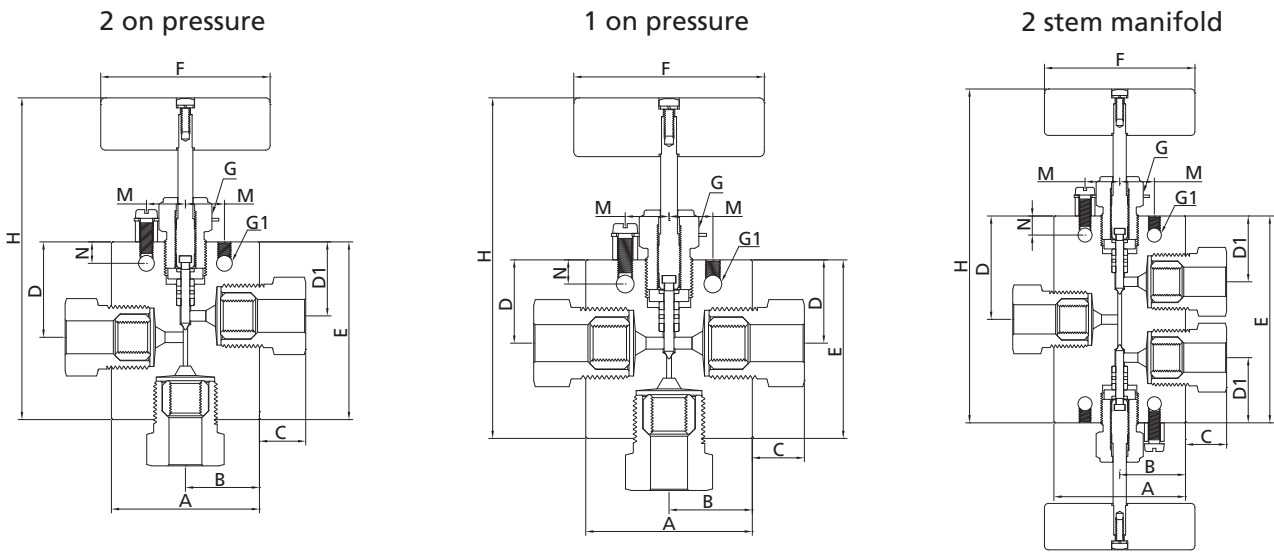
Sour Service Products

Subsea Valves

Tools and Installation Instructions

Technical Information

Ordering Information and Dimensions (Tubing Connection, 3-Way)



2 on pressure															
Ordering Number	Connection	Orifice in. (mm)	Dimensions, in. (mm)												
			A	B	C	D	D1	E	F	G	G1	H	M	N	Thickness
60NSS-6FH4-4	6FH4	0.063 (1.59)	2.00 (50.8)	1.00 (25.4)	0.47 (11.9)	1.69 (42.9)	1.31 (33.3)	2.38 (60.5)	3.00 (76.2)	1.00 (25.4)	0.22 (5.6)	5.26 (133.6)	0.69 (17.5)	0.38 (9.7)	1.00 (25.4)
60NSS-6FH6-4	6FH6	0.063 (1.59)	2.00 (50.8)	1.00 (25.4)	0.61 (15.6)	1.69 (42.9)	1.31 (33.3)	2.75 (68.9)	3.00 (76.2)	1.00 (25.4)	0.22 (5.6)	5.34 (135.8)	0.69 (17.5)	0.38 (9.7)	1.00 (25.4)
60NSS-6FH9-4	6FH9	0.078 (1.98)	2.62 (66.6)	1.31 (33.3)	0.95 (24.1)	1.75 (44.5)	1.31 (33.3)	3.03 (77.0)	3.00 (76.2)	1.00 (25.4)	0.28 (7.1)	5.67 (143.9)	0.69 (17.5)	0.38 (9.7)	1.50 (38.1)

1 on pressure															
Ordering Number	Connection	Orifice in. (mm)	Dimensions, in. (mm)												
			A	B	C	D	D1	E	F	G	G1	H	M	N	Thickness
60NSS-6FH4-5	6FH4	0.063 (1.59)	2.00 (50.8)	1.00 (25.4)	0.47 (11.9)	1.31 (33.3)	/	2.38 (60.5)	3.00 (76.2)	1.00 (25.4)	0.22 (5.6)	5.02 (127.5)	0.69 (17.5)	0.38 (9.7)	1.00 (25.4)
60NSS-6FH6-5	6FH6	0.063 (1.59)	2.00 (50.8)	1.00 (25.4)	0.61 (15.6)	1.31 (33.3)	/	2.62 (66.6)	3.00 (76.2)	1.00 (25.4)	0.22 (5.6)	5.26 (133.5)	0.69 (17.5)	0.38 (9.7)	1.00 (25.4)
60NSS-6FH9-5	6FH9	0.078 (1.98)	2.62 (66.6)	1.31 (33.3)	0.95 (24.1)	1.31 (33.3)	/	2.81 (71.4)	3.00 (76.2)	1.00 (25.4)	0.28 (7.1)	5.45 (138.5)	0.69 (17.5)	0.38 (9.7)	1.50 (38.1)

2 stem manifold															
Ordering Number	Connection	Orifice in. (mm)	Dimensions, in. (mm)												
			A	B	C	D	D1	E	F	G	G1	H	M	N	Thickness
60NSS-6FH4-6	6FH4	0.063 (1.59)	2.00 (50.8)	1.00 (25.4)	0.47 (11.9)	1.72 (43.69)	1.31 (33.3)	3.44 (87.4)	3.00 (76.2)	1.00 (25.4)	0.22 (5.6)	6.08 (154.5)	0.69 (17.5)	0.38 (9.7)	1.00 (25.4)
60NSS-6FH6-6	6FH6	0.063 (1.59)	2.00 (50.8)	1.00 (25.4)	0.61 (15.6)	1.88 (47.8)	1.31 (33.3)	3.75 (95.3)	3.00 (76.2)	1.00 (25.4)	0.22 (5.6)	6.39 (162.3)	0.69 (17.5)	0.38 (9.7)	1.00 (25.4)
60NSS-6FH9-6	6FH9	0.078 (1.98)	2.62 (66.6)	1.31 (33.3)	0.95 (24.1)	2.06 (52.3)	1.31 (33.3)	4.12 (104.7)	3.00 (76.2)	1.00 (25.4)	0.28 (7.1)	6.76 (171.8)	0.69 (17.5)	0.38 (9.7)	1.50 (38.1)

- NOTES: 1. G is the drill dimension of packing gland mounting hole.
 2. G1 is the dimension of bracket mounting hole.
 3. Panel mounting drill size: 0.25" all valves.
 4. H is the dimension of stem in closed position.
 5. All dimensions for reference only and subject to change. For dimensions not shown above, please contact the FITOK Group or our authorized representatives.

Medium & High Pressure Fittings and Tubing

Quick Couplings

Medium & High Pressure Valves

Line Filters

Sour Service Products

Subsea Valves

Tools and Installation Instructions

Technical Information