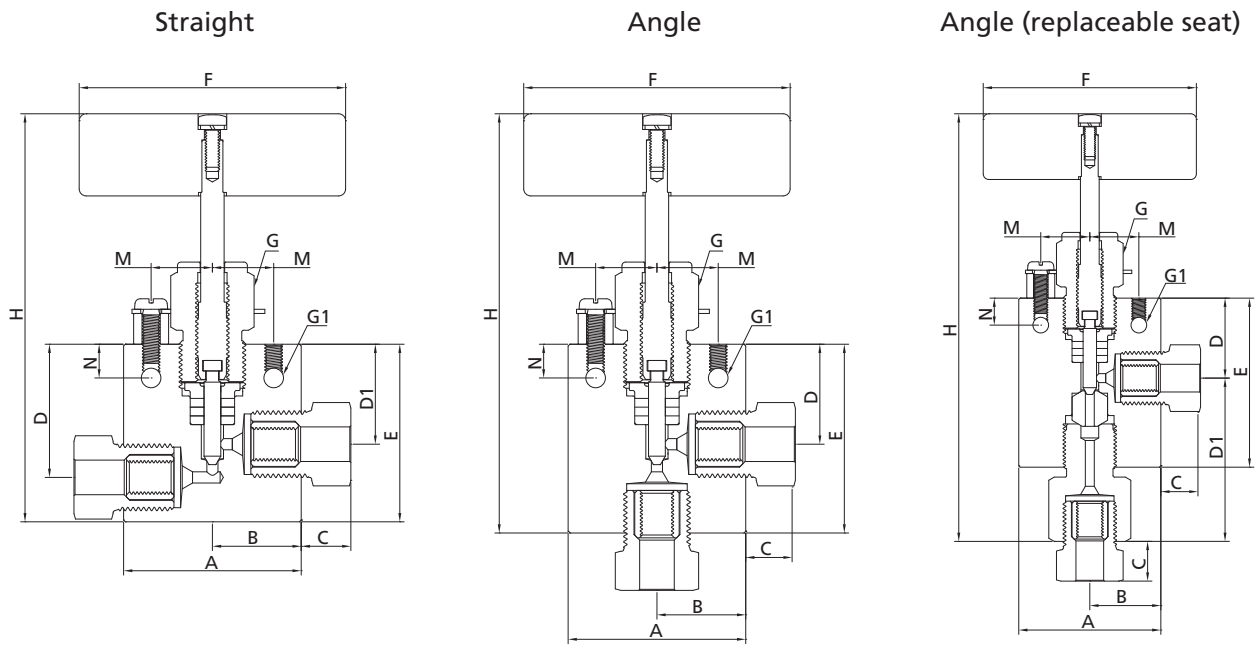


## Ordering Information and Dimensions (Tubing Connection, 2-Way)



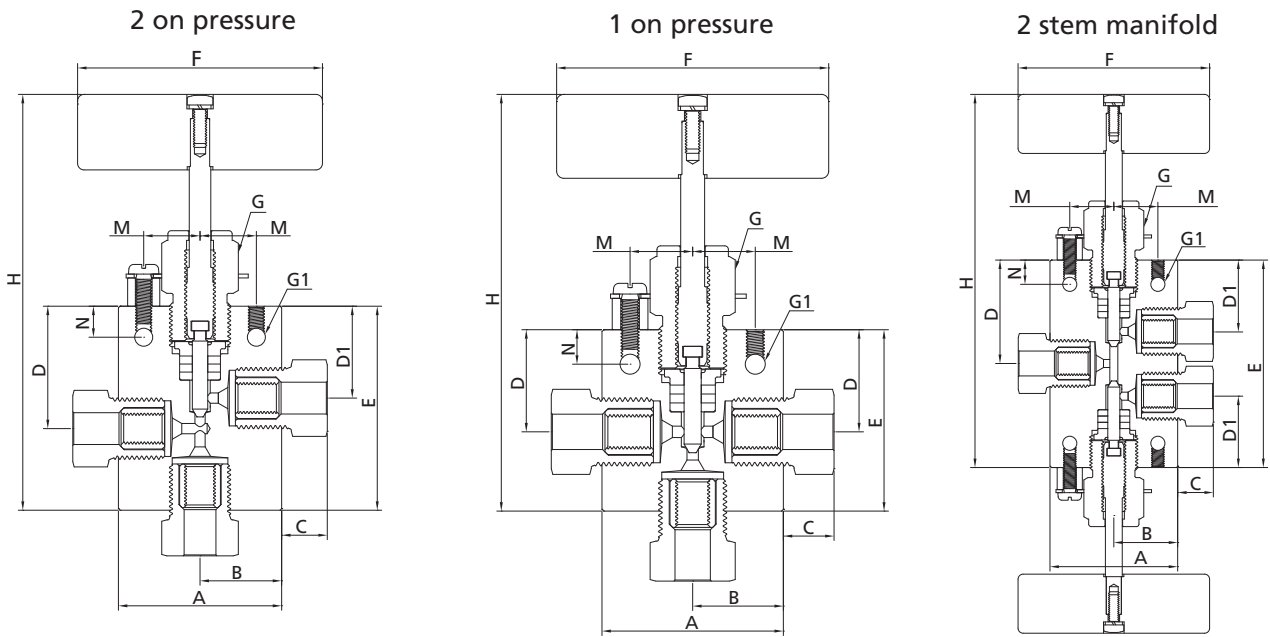
Straight															
Ordering Number	Connection	Orifice in. (mm)	Dimensions, in. (mm)												
			A	B	C	D	D1	E	F	G	G1	H	M	N	Thickness
30NSS-6FH4-1	6FH4	0.094 (2.39)	2.00 (50.8)	1.00 (25.4)	0.47 (11.9)	1.50 (38.1)	1.12 (28.5)	2.00 (50.8)	3.00 (76.2)	1.00 (25.4)	0.22 (5.6)	4.69 (119.1)	0.69 (17.5)	0.38 (9.7)	1.00 (25.4)
30NSS-6FH6-1	6FH6	0.125 (3.18)	2.00 (50.8)	1.00 (25.4)	0.61 (15.6)	1.50 (38.1)	1.12 (28.5)	2.00 (50.8)	3.00 (76.2)	1.00 (25.4)	0.22 (5.6)	4.69 (119.1)	0.69 (17.5)	0.38 (9.7)	1.00 (25.4)
30NSS-6FH9-1	6FH9	0.125 (3.18)	2.62 (66.6)	1.31 (33.3)	0.95 (24.1)	1.56 (39.6)	1.12 (28.5)	2.44 (62.0)	3.00 (76.2)	1.00 (25.4)	0.28 (7.1)	5.13 (130.3)	0.69 (17.5)	0.38 (9.7)	1.50 (38.1)

Angle															
Ordering Number	Connection	Orifice in. (mm)	Dimensions, in. (mm)												
			A	B	C	D	D1	E	F	G	G1	H	M	N	Thickness
30NSS-6FH4-2	6FH4	0.094 (2.39)	2.00 (50.8)	1.00 (25.4)	0.47 (11.9)	1.12 (28.5)	/	2.00 (50.8)	3.00 (76.2)	1.00 (25.4)	0.22 (5.6)	4.69 (119.1)	0.69 (17.5)	0.38 (9.7)	1.00 (25.4)
30NSS-6FH6-2	6FH6	0.125 (3.18)	2.00 (50.8)	1.00 (25.4)	0.61 (15.6)	1.12 (28.5)	/	2.25 (57.2)	3.00 (76.2)	1.00 (25.4)	0.22 (5.6)	4.95 (125.7)	0.69 (17.5)	0.38 (9.7)	1.00 (25.4)
30NSS-6FH9-2	6FH9	0.125 (3.18)	2.62 (66.6)	1.31 (33.3)	0.95 (24.1)	1.12 (28.5)	/	2.44 (62.0)	3.00 (76.2)	1.00 (25.4)	0.28 (7.1)	5.13 (130.3)	0.69 (17.5)	0.38 (9.7)	1.50 (38.1)

Angle (replaceable seat)															
Ordering Number	Connection	Orifice in. (mm)	Dimensions, in. (mm)												
			A	B	C	D	D1	E	F	G	G1	H	M	N	Thickness
30NSS-6FH4-3	6FH4	0.094 (2.39)	2.00 (50.8)	1.00 (25.4)	0.47 (11.9)	1.12 (28.5)	2.06 (52.3)	2.38 (60.5)	3.00 (76.2)	1.00 (25.4)	0.22 (5.6)	5.88 (149.2)	0.69 (17.5)	0.38 (9.7)	1.00 (25.4)
30NSS-6FH6-3	6FH6	0.125 (3.18)	2.00 (50.8)	1.00 (25.4)	0.61 (15.6)	1.12 (28.5)	2.31 (58.67)	2.38 (60.5)	3.00 (76.2)	1.00 (25.4)	0.22 (5.6)	6.12 (155.4)	0.69 (17.5)	0.38 (9.7)	1.00 (25.4)
30NSS-6FH9-3	6FH9	0.125 (3.18)	2.62 (66.6)	1.31 (33.3)	0.95 (24.1)	1.12 (28.6)	2.55 (65.0)	2.44 (62.0)	3.00 (76.2)	1.00 (25.4)	0.28 (7.1)	6.39 (162.4)	0.69 (17.5)	0.38 (9.7)	1.50 (38.1)

Medium & High Pressure Fittings and Tubing  
Quick Couplings  
Medium & High Pressure Valves  
Line Filters  
Sour Service Products  
Subsea Valves  
Tools and Installation Instructions  
Technical Information

## Ordering Information and Dimensions (Tubing Connection, 3-Way)



### 2 on pressure

Ordering Number	Connection	Orifice in. (mm)	Dimensions, in. (mm)												
			A	B	C	D	D1	E	F	G	G1	H	M	N	Thickness
30NSS-6FH4-4	6FH4	0.094 (2.39)	2.00 (50.8)	1.00 (25.4)	0.47 (11.9)	1.50 (38.1)	1.12 (28.5)	2.12 (53.9)	3.00 (76.2)	1.00 (25.4)	0.22 (5.6)	4.81 (122.1)	0.69 (17.5)	0.38 (9.7)	1.00 (25.4)
30NSS-6FH6-4	6FH6	0.125 (3.18)	2.00 (50.8)	1.00 (25.4)	0.61 (15.6)	1.50 (38.1)	1.12 (28.5)	2.50 (63.5)	3.00 (76.2)	1.00 (25.4)	0.22 (5.6)	5.19 (131.9)	0.69 (17.5)	0.38 (9.7)	1.00 (25.4)
30NSS-6FH9-4	6FH9	0.125 (3.18)	2.62 (66.6)	1.31 (33.3)	0.95 (24.1)	1.56 (39.6)	1.12 (28.5)	2.88 (73.2)	3.00 (76.2)	1.00 (25.4)	0.28 (7.1)	5.57 (141.5)	0.69 (17.5)	0.38 (9.7)	1.50 (38.1)

### 1 on pressure

Ordering Number	Connection	Orifice in. (mm)	Dimensions, in. (mm)												
			A	B	C	D	D1	E	F	G	G1	H	M	N	Thickness
30NSS-6FH4-5	6FH4	0.094 (2.39)	2.00 (50.8)	1.00 (25.4)	0.47 (11.9)	1.12 (28.5)	/	2.00 (50.8)	3.00 (76.2)	1.00 (25.4)	0.22 (5.6)	4.69 (119.1)	0.69 (17.5)	0.38 (9.7)	1.00 (25.4)
30NSS-6FH6-5	6FH6	0.125 (3.18)	2.00 (50.8)	1.00 (25.4)	0.61 (15.6)	1.12 (28.5)	/	2.25 (57.2)	3.00 (76.2)	1.00 (25.4)	0.22 (5.6)	4.95 (125.7)	0.69 (17.5)	0.38 (9.7)	1.00 (25.4)
30NSS-6FH9-5	6FH9	0.125 (3.18)	2.62 (66.6)	1.31 (33.3)	0.95 (24.1)	1.12 (28.5)	/	2.44 (62.0)	3.00 (76.2)	1.00 (25.4)	0.28 (7.1)	5.13 (130.3)	0.69 (17.5)	0.38 (9.7)	1.50 (38.1)

### 2 stem manifold

Ordering Number	Connection	Orifice in. (mm)	Dimensions, in. (mm)												
			A	B	C	D	D1	E	F	G	G1	H	M	N	Thickness
30NSS-6FH4-6	6FH4	0.094 (2.39)	2.00 (50.8)	1.00 (25.4)	0.47 (11.9)	1.53 (38.9)	1.12 (28.5)	3.06 (77.7)	3.00 (76.2)	1.00 (25.4)	0.22 (5.6)	5.75 (146.0)	0.69 (17.5)	0.38 (9.7)	1.00 (25.4)
30NSS-6FH6-6	6FH6	0.125 (3.18)	2.00 (50.8)	1.00 (25.4)	0.61 (15.6)	1.62 (41.2)	1.12 (28.5)	3.25 (82.6)	3.00 (76.2)	1.00 (25.4)	0.22 (5.6)	5.94 (150.9)	0.69 (17.5)	0.38 (9.7)	1.00 (25.4)
30NSS-6FH9-6	6FH9	0.125 (3.18)	2.62 (66.6)	1.31 (33.3)	0.95 (24.1)	1.88 (47.8)	1.12 (28.5)	3.75 (95.3)	3.00 (76.2)	1.00 (25.4)	0.28 (7.1)	6.44 (163.6)	0.69 (17.5)	0.38 (9.7)	1.50 (38.1)

- NOTES: 1. G is the drill dimension of packing gland mounting hole.  
 2. G1 is the dimension of bracket mounting hole.  
 3. Panel mounting drill size: 0.25" all valves.  
 4. H is the dimension of stem in closed position.  
 5. All dimensions for reference only and subject to change. For dimensions not shown above, please contact the FITOK Group or our authorized representatives.

Medium & High Pressure Fittings and Tubing  
 Quick Couplings  
 Medium & High Pressure Valves  
 Line Filters  
 Sour Service Products  
 Subsea Valves  
 Tools and Installation Instructions  
 Technical Information