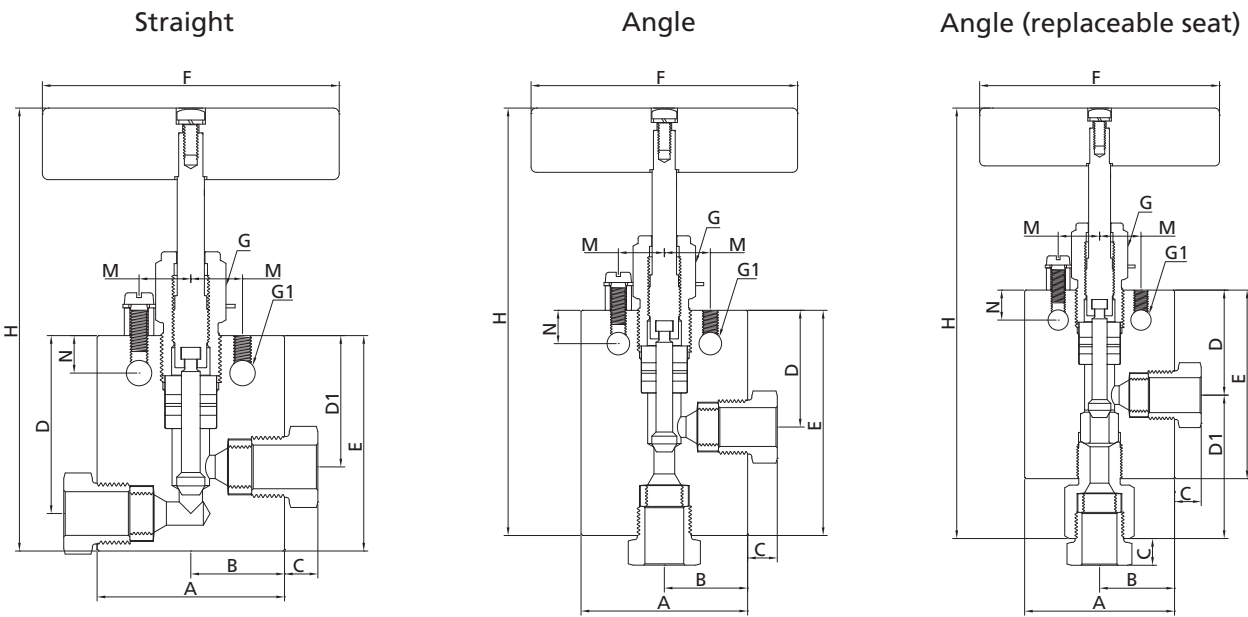


Ordering Information and Dimensions (Tubing Connection, 2-Way)



Straight															
Ordering Number	Connection	Orifice in. (mm)	Dimensions, in. (mm)												
			A	B	C	D	D1	E	F	G	G1	H	M	N	Thickness
20NSS-2FH4-1	2FH4	0.125 (3.18)	2.00 (50.8)	1.00 (25.4)	0.38 (9.7)	1.62 (41.2)	1.19 (30.2)	2.00 (50.8)	3.00 (76.2)	0.75 (19.1)	0.22 (5.6)	4.85 (123.1)	0.62 (15.8)	0.38 (9.7)	0.75 (19.1)
20NSS-2FH6-1	2FH6	0.204 (5.18)	2.00 (50.8)	1.00 (25.4)	0.44 (11.2)	1.62 (41.2)	1.19 (30.2)	2.00 (50.8)	3.00 (76.2)	0.75 (19.1)	0.22 (5.6)	4.89 (124.2)	0.62 (15.8)	0.38 (9.7)	0.75 (19.1)
20NSS-2FH9-1	2FH9	0.312 (7.92)	2.50 (63.5)	1.25 (31.8)	0.55 (14.0)	2.37 (60.3)	1.75 (44.5)	2.88 (73.2)	4.00 (101.6)	1.00 (25.4)	0.34 (8.6)	6.18 (157.2)	0.69 (17.5)	0.50 (12.7)	1.00 (25.4)
20NSS-2FH12-1	2FH12	0.438 (11.13)	3.00 (76.2)	1.50 (38.1)	0.60 (15.2)	3.00 (76.2)	2.25 (57.2)	3.75 (95.3)	10.25 (260.4)	1.19 (30.2)	0.44 (11.2)	7.37 (187.2)	0.88 (22.4)	0.63 (16.0)	1.38 (35.1)
20NSS-2FH16-1	2FH16	0.562 (14.27)	4.12 (104.6)	2.06 (52.3)	0.74 (18.7)	3.75 (95.3)	2.81 (71.4)	4.63 (117.6)	10.25 (260.4)	1.62 (41.2)	0.56 (14.2)	9.45 (240.1)	1.25 (31.8)	1.13 (28.7)	1.75 (44.5)

Angle															
Ordering Number	Connection	Orifice in. (mm)	Dimensions, in. (mm)												
			A	B	C	D	D1	E	F	G	G1	H	M	N	Thickness
20NSS-2FH4-2	2FH4	0.125 (3.18)	2.00 (50.8)	1.00 (25.4)	0.38 (9.7)	1.19 (30.2)	/	2.44 (61.9)	3.00 (76.2)	0.75 (19.1)	0.22 (5.6)	5.28 (134.2)	0.62 (15.8)	0.38 (9.7)	0.75 (19.1)
20NSS-2FH6-2	2FH6	0.204 (5.18)	2.00 (50.8)	1.00 (25.4)	0.44 (11.2)	1.19 (30.2)	/	2.44 (61.9)	3.00 (76.2)	0.75 (19.1)	0.22 (5.6)	5.33 (135.4)	0.62 (15.8)	0.38 (9.7)	0.75 (19.1)
20NSS-2FH9-2	2FH9	0.312 (7.92)	2.50 (63.5)	1.25 (31.8)	0.55 (14.0)	1.75 (44.5)	/	3.38 (85.9)	4.00 (101.6)	1.00 (25.4)	0.34 (8.6)	6.69 (170.0)	0.69 (17.5)	0.50 (12.7)	1.00 (25.4)
20NSS-2FH12-2	2FH12	0.438 (11.13)	3.00 (76.2)	1.50 (38.1)	0.60 (15.2)	2.25 (57.2)	/	4.25 (108.0)	10.25 (260.4)	1.19 (30.2)	0.44 (11.2)	7.87 (199.9)	0.88 (22.4)	0.63 (16.0)	1.38 (35.1)
20NSS-2FH16-2	2FH16	0.562 (14.27)	4.12 (104.6)	2.06 (52.3)	0.74 (18.7)	2.81 (71.4)	/	5.12 (130.1)	10.25 (260.4)	1.62 (41.2)	0.56 (14.2)	9.94 (252.6)	1.25 (31.8)	1.13 (28.7)	1.75 (44.5)

Medium & High Pressure Fittings and Tubing

Quick Couplings

Medium & High Pressure Valves

Line Filters

Sour Service Products

Subsea Valves

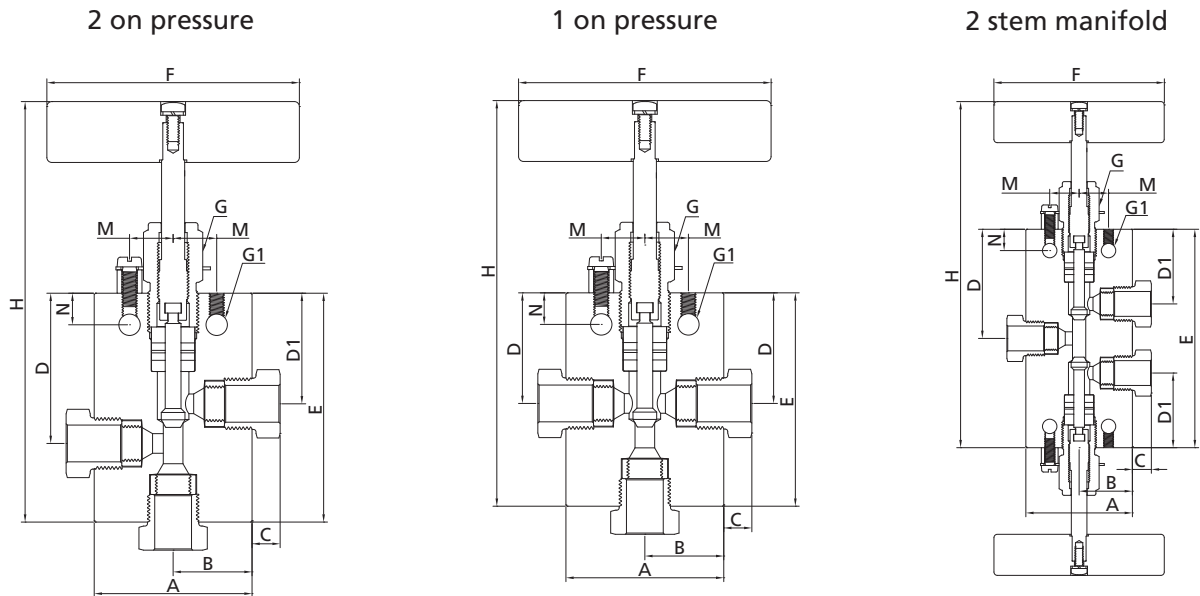
Tools and Installation Instructions

Technical Information

C-29 Needle Valves and Pneumatic Needle Valves

Angle (replaceable seat)															
Ordering Number	Connection	Orifice in. (mm)	Dimensions, in. (mm)												
			A	B	C	D	D1	E	F	G	G1	H	M	N	Thickness
20NSS-2FH4-3	2FH4	0.125 (3.18)	2.00 (50.8)	1.00 (25.4)	0.38 (9.7)	1.19 (30.2)	2.13 (54.0)	2.25 (57.2)	3.00 (76.2)	0.75 (19.1)	0.22 (5.6)	6.10 (154.9)	0.62 (15.8)	0.38 (9.7)	0.75 (19.1)
20NSS-2FH6-3	2FH6	0.204 (5.18)	2.00 (50.8)	1.00 (25.4)	0.44 (11.2)	1.19 (30.2)	2.13 (54.0)	2.25 (57.2)	3.00 (76.2)	0.75 (19.1)	0.22 (5.6)	6.16 (156.5)	0.62 (15.8)	0.38 (9.7)	0.75 (19.1)
20NSS-2FH9-3	2FH9	0.312 (7.92)	2.50 (63.5)	1.25 (31.8)	0.55 (14.0)	1.75 (44.5)	2.50 (63.5)	3.13 (79.4)	4.00 (101.6)	1.00 (25.4)	0.34 (8.6)	7.58 (192.1)	0.69 (17.5)	0.50 (12.7)	1.00 (25.4)
20NSS-2FH12-3	2FH12	0.438 (11.13)	3.00 (76.2)	1.50 (38.1)	0.60 (15.2)	2.25 (57.2)	3.44 (87.4)	4.25 (108.0)	10.25 (260.4)	1.19 (30.2)	0.44 (11.2)	9.30 (236.3)	0.88 (22.4)	0.63 (16.0)	1.38 (35.1)
20NSS-2FH16-3	2FH16	0.562 (14.27)	4.12 (104.6)	2.06 (52.3)	0.74 (18.7)	2.81 (71.4)	4.22 (107.4)	5.25 (133.4)	10.25 (260.4)	1.62 (41.2)	0.56 (14.2)	11.86 (301.3)	1.25 (31.8)	1.13 (28.7)	1.75 (44.5)

Ordering Information and Dimensions (Tubing Connection, 3-Way)



2 on pressure															
Ordering Number	Connection	Orifice in. (mm)	Dimensions, in. (mm)												
			A	B	C	D	D1	E	F	G	G1	H	M	N	Thickness
20NSS-2FH4-4	2FH4	0.125 (3.18)	2.00 (50.8)	1.00 (25.4)	0.38 (9.7)	1.63 (41.3)	1.19 (30.2)	2.63 (66.7)	3.00 (76.2)	0.75 (19.1)	0.22 (5.6)	5.47 (139.0)	0.62 (15.8)	0.38 (9.7)	0.75 (19.1)
20NSS-2FH6-4	2FH6	0.204 (5.18)	2.00 (50.8)	1.00 (25.4)	0.44 (11.2)	1.63 (41.3)	1.19 (30.2)	2.63 (66.7)	3.00 (76.2)	0.75 (19.1)	0.22 (5.6)	5.52 (140.1)	0.62 (15.8)	0.38 (9.7)	0.75 (19.1)
20NSS-2FH9-4	2FH9	0.312 (7.92)	2.50 (63.5)	1.25 (31.8)	0.55 (14.0)	2.37 (60.3)	1.75 (44.5)	3.63 (92.1)	4.00 (101.6)	1.00 (25.4)	0.34 (8.6)	6.94 (176.3)	0.69 (17.5)	0.50 (12.7)	1.00 (25.4)
20NSS-2FH12-4	2FH12	0.438 (11.13)	3.00 (76.2)	1.50 (38.1)	0.60 (15.2)	3.00 (76.2)	2.25 (57.2)	4.63 (117.5)	10.25 (260.4)	1.19 (30.2)	0.44 (11.2)	8.24 (209.4)	0.88 (22.4)	0.63 (16.0)	1.38 (35.1)
20NSS-2FH16-4	2FH16	0.562 (14.27)	4.12 (104.6)	2.06 (52.3)	0.74 (18.7)	3.75 (95.3)	2.81 (71.4)	5.88 (149.4)	10.25 (260.4)	1.62 (41.2)	0.56 (14.2)	10.70 (271.9)	1.25 (31.8)	1.13 (28.7)	1.75 (44.5)

Medium & High Pressure Fittings and Tubing
Quick Couplings
Medium & High Pressure Valves
Line Filters
Sour Service Products
Subsea Valves
Tools and Installation Instructions
Technical Information

1 on pressure															
Ordering Number	Connection	Orifice in. (mm)	Dimensions, in. (mm)												
			A	B	C	D	D1	E	F	G	G1	H	M	N	Thickness
20NSS-2FH4-5	2FH4	0.125 (3.18)	2.00 (50.8)	1.00 (25.4)	0.38 (9.7)	1.19 (30.2)		2.44 (61.9)	3.00 (76.2)	0.75 (19.1)	0.22 (5.6)	5.28 (134.2)	0.62 (15.8)	0.38 (9.7)	0.75 (19.1)
20NSS-2FH6-5	2FH6	0.204 (5.18)	2.00 (50.8)	1.00 (25.4)	0.44 (11.2)	1.19 (30.2)		2.44 (61.9)	3.00 (76.2)	0.75 (19.1)	0.22 (5.6)	5.33 (135.4)	0.62 (15.8)	0.38 (9.7)	0.75 (19.1)
20NSS-2FH9-5	2FH9	0.312 (7.92)	2.50 (63.5)	1.25 (31.8)	0.55 (14.0)	1.75 (44.5)		3.38 (85.9)	4.00 (101.6)	1.00 (25.4)	0.34 (8.6)	6.69 (170.0)	0.69 (17.5)	0.50 (12.7)	1.00 (25.4)
20NSS-2FH12-5	2FH12	0.438 (11.13)	3.00 (76.2)	1.50 (38.1)	0.60 (15.2)	2.25 (57.2)		4.25 (108.0)	10.25 (260.4)	1.19 (30.2)	0.44 (11.2)	7.87 (199.9)	0.88 (22.4)	0.63 (16.0)	1.38 (35.1)
20NSS-2FH16-5	2FH16	0.562 (14.27)	4.12 (104.6)	2.06 (52.3)	0.74 (18.7)	2.81 (71.4)		5.12 (130.1)	10.25 (260.4)	1.62 (41.2)	0.56 (14.2)	9.94 (252.6)	1.25 (31.8)	1.13 (28.7)	1.75 (44.5)

2 stem manifold															
Ordering Number	Connection	Orifice in. (mm)	Dimensions, in. (mm)												
			A	B	C	D	D1	E	F	G	G1	H	M	N	Thickness
20NSS-2FH4-6	2FH4	0.125 (3.18)	2.00 (50.8)	1.00 (25.4)	0.38 (9.7)	1.69 (42.9)	1.19 (30.2)	3.38 (85.7)	3.00 (76.2)	0.75 (19.1)	0.22 (5.6)	6.23 (158.1)	0.62 (15.8)	0.38 (9.7)	0.75 (19.1)
20NSS-2FH6-6	2FH6	0.204 (5.18)	2.00 (50.8)	1.00 (25.4)	0.44 (11.2)	1.69 (42.9)	1.19 (30.2)	3.38 (85.7)	3.00 (76.2)	0.75 (19.1)	0.22 (5.6)	6.24 (158.6)	0.62 (15.8)	0.38 (9.7)	0.75 (19.1)
20NSS-2FH9-6	2FH9	0.312 (7.92)	2.50 (63.5)	1.25 (31.8)	0.55 (14.0)	2.56 (65.1)	1.75 (44.5)	5.13 (130.2)	4.00 (101.6)	1.00 (25.4)	0.34 (8.6)	8.44 (214.4)	0.69 (17.5)	0.50 (12.7)	1.00 (25.4)
20NSS-2FH12-6	2FH12	0.438 (11.13)	3.00 (76.2)	1.50 (38.1)	0.60 (15.2)	3.00 (76.2)	2.25 (57.2)	6.50 (165.1)	10.25 (260.4)	1.19 (30.2)	0.44 (11.2)	10.11 (257.0)	0.88 (22.4)	0.63 (16.0)	1.38 (35.1)
20NSS-2FH16-6	2FH16	0.562 (14.27)	4.12 (104.6)	2.06 (52.3)	0.74 (18.7)	3.75 (95.3)	2.81 (71.4)	7.50 (190.5)	10.25 (260.4)	1.62 (41.2)	0.56 (14.2)	12.32 (313.0)	1.25 (31.8)	1.13 (28.7)	1.75 (44.5)

- NOTES: 1. G is the drill dimension of packing gland mounting hole.
 2. G1 is the dimension of bracket mounting hole.
 3. Panel mounting drill size: 0.25" all valves.
 4. H is the dimension of stem in closed position.
 5. All dimensions for reference only and subject to change. For dimensions not shown above, please contact the FITOK Group or our authorized distributors.

Medium & High Pressure Fittings and Tubing
Quick Couplings
Medium & High Pressure Valves
Line Filters
Sour Service Products
Subsea Valves
Tools and Installation Instructions
Technical Information