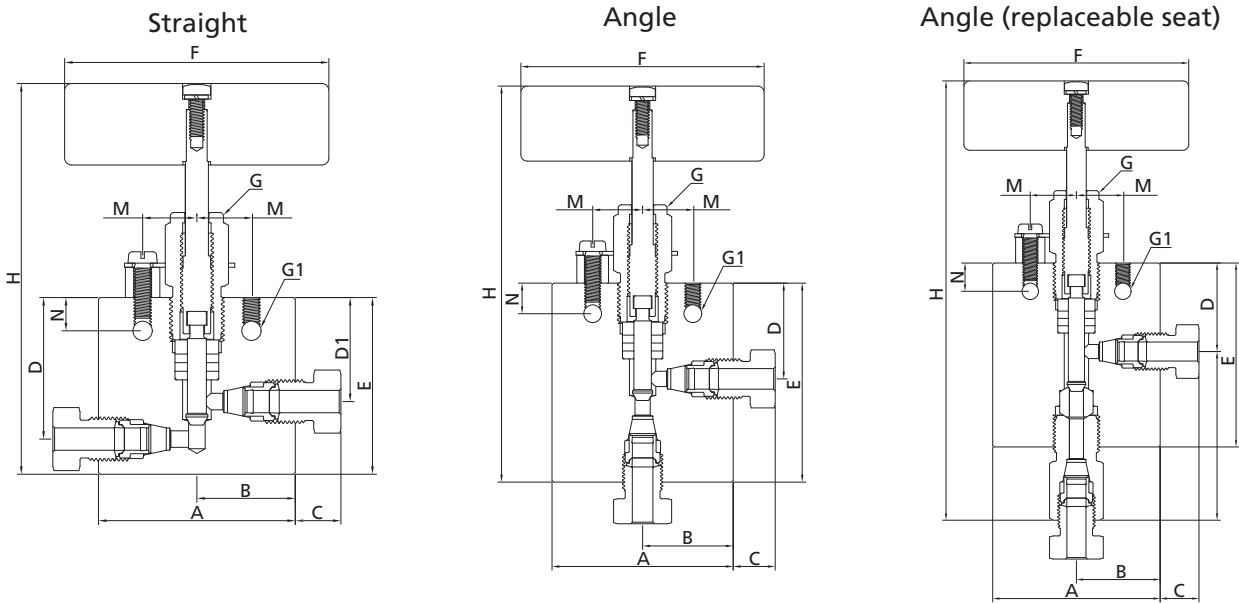


## Ordering Information and Dimensions (Tubing Connection, 2-Way)



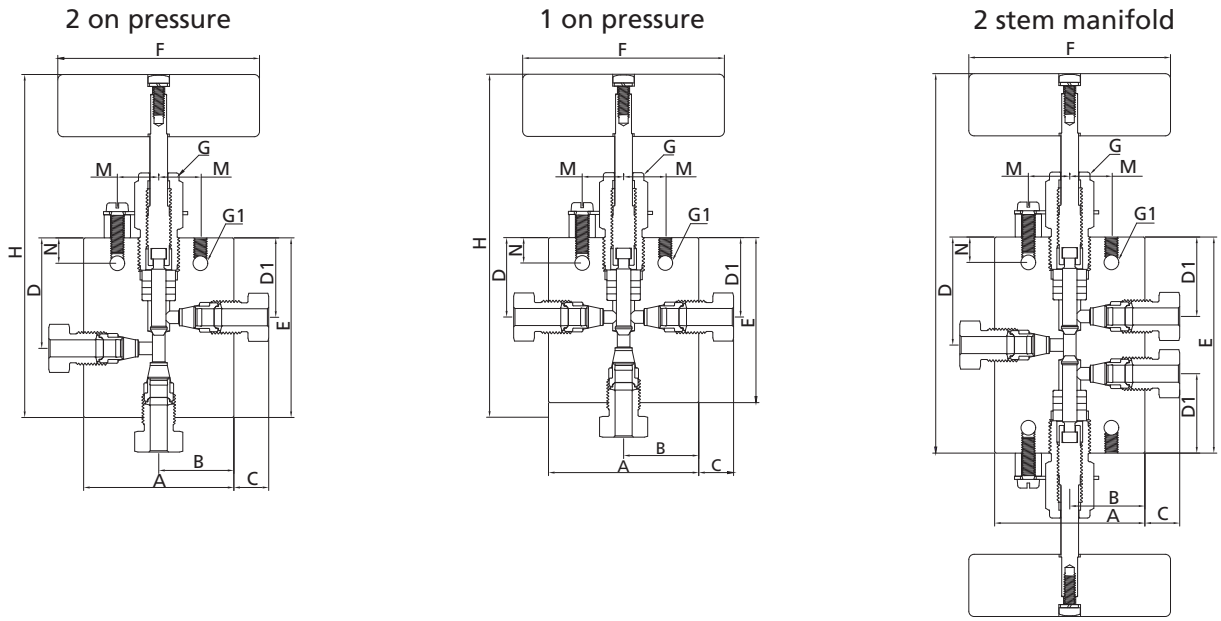
Straight															
Ordering Number	Connection	Orifice in. (mm)	Dimensions, in. (mm)												
			A	B	C	D	D1	E	F	G	G1	H	M	N	Thickness
15NSS-DHL2-1	DHL2	0.094 (2.39)	1.81 (46.1)	0.91 (23.1)	0.44 (11.2)	1.06 (26.9)	0.81 (20.6)	1.38 (35.1)	1.75 (44.5)	0.62 (15.8)	0.17 (4.3)	3.13 (79.6)	0.56 (14.2)	0.31 (7.9)	0.62 (15.8)
15NSS-DHL4-1	DHL4	0.188 (4.77)	2.33 (59.2)	1.17 (29.6)	0.52 (13.3)	1.62 (41.2)	1.19 (30.2)	2.00 (50.8)	3.00 (76.2)	0.75 (19.1)	0.22 (5.6)	4.90 (124.5)	0.62 (15.8)	0.38 (9.7)	0.75 (19.1)
15NSS-DHL6-1	DHL6	0.250 (6.35)	2.27 (57.6)	1.13 (28.8)	0.54 (13.6)	1.62 (41.2)	1.19 (30.2)	2.00 (50.8)	3.00 (76.2)	0.75 (19.1)	0.22 (5.6)	4.97 (126.3)	0.62 (15.8)	0.38 (9.7)	0.75 (19.1)
15NSS-DHL8-1	DHL8	0.375 (9.53)	2.86 (72.7)	1.43 (36.4)	0.60 (15.3)	2.38 (60.5)	1.75 (44.5)	2.88 (73.2)	4.00 (101.6)	1.00 (25.4)	0.34 (8.6)	6.21 (157.7)	0.69 (17.5)	0.50 (12.7)	1.00 (25.4)

Angle															
Ordering Number	Connection	Orifice in. (mm)	Dimensions, in. (mm)												
			A	B	C	D	D1	E	F	G	G1	H	M	N	Thickness
15NSS-DHL2-2	DHL2	0.094 (2.39)	1.81 (46.1)	0.91 (23.1)	0.44 (11.2)	0.81 (20.6)		1.56 (39.6)	1.75 (44.5)	0.62 (15.8)	0.17 (4.3)	3.32 (84.3)	0.56 (14.2)	0.31 (7.9)	0.62 (15.8)
15NSS-DHL4-2	DHL4	0.188 (4.77)	2.33 (59.2)	1.17 (29.6)	0.52 (13.3)	1.19 (30.2)		2.43 (61.7)	3.00 (76.2)	0.75 (19.1)	0.22 (5.6)	5.33 (135.4)	0.62 (15.8)	0.38 (9.7)	0.75 (19.1)
15NSS-DHL6-2	DHL6	0.250 (6.35)	2.27 (57.6)	1.13 (28.8)	0.54 (13.6)	1.19 (30.2)		2.43 (61.7)	3.00 (76.2)	0.75 (19.1)	0.22 (5.6)	5.40 (137.2)	0.62 (15.8)	0.38 (9.7)	0.75 (19.1)
15NSS-DHL8-2	DHL8	0.375 (9.53)	2.86 (72.7)	1.43 (36.4)	0.60 (15.3)	1.75 (44.5)		3.38 (85.9)	4.00 (101.6)	1.00 (25.4)	0.34 (8.6)	6.71 (170.4)	0.69 (17.5)	0.50 (12.7)	1.00 (25.4)

Angle (replaceable seat)															
Ordering Number	Connection	Orifice in. (mm)	Dimensions, in. (mm)												
			A	B	C	D	D1	E	F	G	G1	H	M	N	Thickness
15NSS-DHL2-3	DHL2	0.094 (2.39)	1.81 (46.1)	0.91 (23.1)	0.44 (11.2)	0.81 (20.6)	1.44 (36.5)	1.56 (39.6)	1.75 (44.5)	0.62 (15.8)	0.17 (4.3)	3.84 (97.6)	0.56 (14.2)	0.31 (7.9)	0.62 (15.8)
15NSS-DHL4-3	DHL4	0.188 (4.77)	2.33 (59.2)	1.17 (29.6)	0.52 (13.3)	1.19 (30.2)	2.05 (52.0)	2.25 (57.2)	3.00 (76.2)	0.75 (19.1)	0.22 (5.6)	5.97 (151.6)	0.62 (15.8)	0.38 (9.7)	0.75 (19.1)
15NSS-DHL6-3	DHL6	0.250 (6.35)	2.27 (57.6)	1.13 (28.8)	0.54 (13.6)	1.19 (30.2)	2.32 (59.0)	2.25 (57.2)	3.00 (76.2)	0.75 (19.1)	0.22 (5.6)	6.35 (161.3)	0.62 (15.8)	0.38 (9.7)	0.75 (19.1)
15NSS-DHL8-3	DHL8	0.375 (9.53)	2.86 (72.7)	1.43 (36.4)	0.60 (15.3)	1.75 (44.5)	2.68 (68.1)	3.25 (82.6)	4.00 (101.6)	1.00 (25.4)	0.34 (8.6)	7.54 (191.5)	0.69 (17.5)	0.50 (12.7)	1.00 (25.4)

Medium & High Pressure Fittings and Tubing  
Quick Couplings  
Medium & High Pressure Valves  
Line Filters  
Sour Service Products  
Subsea Valves  
Tools and Installation Instructions  
Technical Information

## Ordering Information and Dimensions (Tubing Connection, 3-Way)



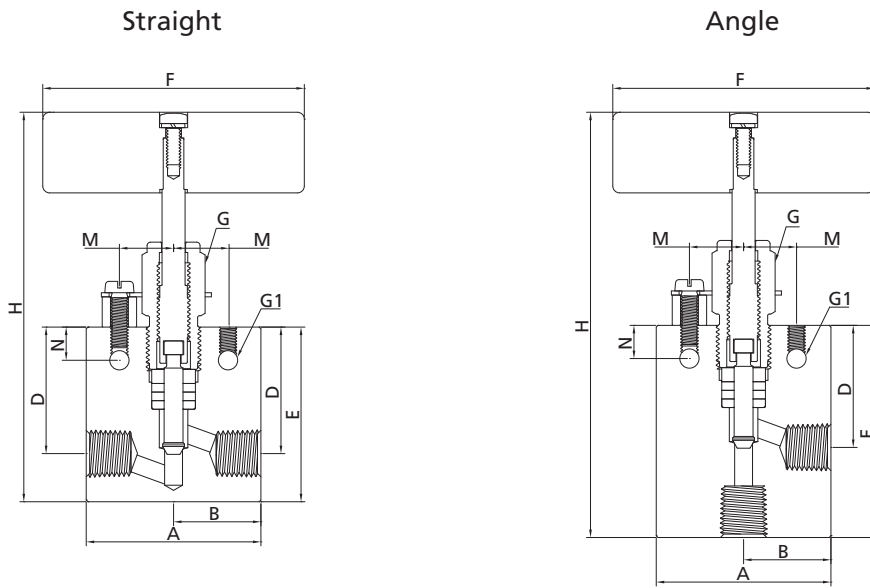
2 on pressure															
Ordering Number	Connection	Orifice in. (mm)	Dimensions, in. (mm)												
			A	B	C	D	D1	E	F	G	G1	H	M	N	Thickness
15NSS-DHL2-4	DHL2	0.094 (2.39)	1.81 (46.1)	0.91 (23.1)	0.44 (11.2)	1.06 (26.9)	0.81 (20.6)	1.85 (46.9)	1.75 (44.5)	0.62 (15.8)	0.17 (4.3)	3.45 (87.5)	0.56 (14.2)	0.31 (7.9)	0.62 (15.8)
15NSS-DHL4-4	DHL4	0.188 (4.77)	2.33 (59.2)	1.17 (29.6)	0.52 (13.3)	1.62 (41.2)	1.19 (30.2)	2.79 (70.8)	3.00 (76.2)	0.75 (19.1)	0.22 (5.6)	5.52 (140.3)	0.62 (15.8)	0.38 (9.7)	0.75 (19.1)
15NSS-DHL6-4	DHL6	0.250 (6.35)	2.27 (57.6)	1.13 (28.8)	0.54 (13.6)	1.62 (41.2)	1.19 (30.2)	2.76 (70.0)	3.00 (76.2)	0.75 (19.1)	0.22 (5.6)	5.59 (142.1)	0.62 (15.8)	0.38 (9.7)	0.75 (19.1)
15NSS-DHL8-4	DHL8	0.375 (9.53)	2.86 (72.7)	1.43 (36.4)	0.60 (15.3)	2.38 (60.5)	1.75 (44.5)	3.80 (96.6)	4.00 (101.6)	1.00 (25.4)	0.34 (8.6)	6.96 (176.7)	0.69 (17.5)	0.50 (12.7)	1.00 (25.4)

1 on pressure															
Ordering Number	Connection	Orifice in. (mm)	Dimensions, in. (mm)												
			A	B	C	D	D1	E	F	G	G1	H	M	N	Thickness
15NSS-DHL2-5	DHL2	0.094 (2.39)	1.81 (46.1)	0.91 (23.1)	0.44 (11.2)	0.81 (20.6)	1.56 (39.6)	1.75 (44.5)	0.62 (15.8)	0.17 (4.3)	3.32 (84.3)	0.56 (14.2)	0.31 (7.9)	0.62 (15.8)	
15NSS-DHL4-5	DHL4	0.188 (4.77)	2.33 (59.2)	1.17 (29.6)	0.52 (13.3)	1.19 (30.2)	2.43 (61.7)	3.00 (76.2)	0.75 (19.1)	0.22 (5.6)	5.33 (135.4)	0.62 (15.8)	0.38 (9.7)	0.75 (19.1)	
15NSS-DHL6-5	DHL6	0.250 (6.35)	2.27 (57.6)	1.13 (28.8)	0.54 (13.6)	1.19 (30.2)	2.43 (61.7)	3.00 (76.2)	0.75 (19.1)	0.22 (5.6)	5.40 (137.2)	0.62 (15.8)	0.38 (9.7)	0.75 (19.1)	
15NSS-DHL8-5	DHL8	0.375 (9.53)	2.86 (72.7)	1.43 (36.4)	0.60 (15.3)	1.75 (44.5)	3.38 (85.9)	4.00 (101.6)	1.00 (25.4)	0.34 (8.6)	6.71 (170.4)	0.69 (17.5)	0.50 (12.7)	1.00 (25.4)	

2 stem manifold															
Ordering Number	Connection	Orifice in. (mm)	Dimensions, in. (mm)												
			A	B	C	D	D1	E	F	G	G1	H	M	N	Thickness
15NSS-DHL2-6	DHL2	0.094 (2.39)	1.81 (46.1)	0.91 (23.1)	0.44 (11.2)	1.12 (28.5)	0.81 (20.6)	2.25 (57.2)	1.75 (44.5)	0.62 (15.8)	0.17 (4.3)	4.00 (101.8)	0.56 (14.2)	0.31 (7.9)	0.62 (15.8)
15NSS-DHL4-6	DHL4	0.188 (4.77)	2.33 (59.2)	1.17 (29.6)	0.52 (13.3)	1.69 (42.9)	1.19 (30.2)	3.38 (85.9)	3.00 (76.2)	0.75 (19.1)	0.22 (5.6)	6.28 (159.6)	0.62 (15.8)	0.38 (9.7)	0.75 (19.1)
15NSS-DHL6-6	DHL6	0.250 (6.35)	2.27 (57.6)	1.13 (28.8)	0.54 (13.6)	1.69 (42.9)	1.19 (30.2)	3.38 (85.9)	3.00 (76.2)	0.75 (19.1)	0.22 (5.6)	6.35 (161.3)	0.62 (15.8)	0.38 (9.7)	0.75 (19.1)
15NSS-DHL8-6	DHL8	0.375 (9.53)	2.86 (72.7)	1.43 (36.4)	0.60 (15.3)	2.56 (65.0)	1.75 (44.5)	5.12 (130.1)	4.00 (101.6)	1.00 (25.4)	0.34 (8.6)	8.45 (214.7)	0.69 (17.5)	0.50 (12.7)	1.00 (25.4)

Medium & High Pressure Fittings and Tubing  
Quick Couplings  
Medium & High Pressure Valves  
Line Filters  
Sour Service Products  
Subsea Valves  
Tools and Installation Instructions  
Technical Information

## Ordering Information and Dimensions (Pipe Connection, 2-Way)



Straight															
Ordering Number	Connection	Orifice in. (mm)	Dimensions, in. (mm)												
			A	B	C	D	D1	E	F	G	G1	H	M	N	Thickness
15NSS-FNS2-1	FNS2	0.078 (1.98)	1.50 (38.1)	0.75 (19.1)	/	0.82 (20.6)	/	1.25 (31.8)	1.75 (44.5)	0.62 (15.8)	0.17 (4.3)	3.00 (76.4)	0.56 (14.2)	0.31 (7.9)	0.63 (15.9)
15NSS-FRT2-1	FRT2														
15NSS-FNS4-1	FNS4	0.203 (5.2)	2.00 (50.8)	1.00 (25.4)	/	1.41 (35.8)	/	2.00 (50.8)	3.00 (76.2)	0.75 (19.1)	0.22 (5.6)	4.89 (124.1)	0.62 (15.8)	0.38 (9.7)	0.75 (19.1)
15NSS-FRT4-1	FRT4														
15NSS-FNS6-1	FNS6	0.219 (5.56)	2.50 (63.5)	1.25 (31.8)	/	1.41 (35.8)	/	2.00 (50.8)	3.00 (76.2)	0.75 (19.1)	0.22 (5.6)	4.85 (123.1)	0.62 (15.8)	0.38 (9.7)	1.00 (25.4)
15NSS-FRT6-1	FRT6														
15NSS-FNS8-1	FNS8	0.312 (7.92)	3.00 (76.2)	1.50 (38.1)	/	2.06 (52.3)	/	2.88 (73.2)	4.00 (101.6)	1.00 (25.4)	0.34 (8.6)	6.18 (157.2)	0.69 (17.5)	0.50 (12.7)	1.38 (35.1)
15NSS-FRT8-1	FRT8														

Angle															
Ordering Number	Connection	Orifice in. (mm)	Dimensions, in. (mm)												
			A	B	C	D	D1	E	F	G	G1	H	M	N	Thickness
15NSS-FNS2-2	FNS2	0.078 (1.98)	1.50 (38.1)	0.75 (19.1)	/	0.81 (20.6)	/	1.38 (34.9)	1.75 (44.5)	0.62 (15.8)	0.17 (4.3)	3.13 (79.5)	0.56 (14.2)	0.31 (7.9)	0.63 (15.9)
15NSS-FRT2-2	FRT2														
15NSS-FNS4-2	FNS4	0.203 (5.2)	2.00 (50.8)	1.00 (25.4)	/	1.41 (35.8)	/	2.44 (62.0)	3.00 (76.2)	0.75 (19.1)	0.22 (5.6)	5.33 (135.4)	0.62 (15.8)	0.38 (9.7)	0.75 (19.1)
15NSS-FRT4-2	FRT4														
15NSS-FNS6-2	FNS6	0.219 (5.56)	2.50 (63.5)	1.25 (31.8)	/	1.41 (35.8)	/	2.44 (62.0)	3.00 (76.2)	0.75 (19.1)	0.22 (5.6)	5.34 (135.7)	0.62 (15.8)	0.38 (9.7)	1.00 (25.4)
15NSS-FRT6-2	FRT6														
15NSS-FNS8-2	FNS8	0.312 (7.92)	3.00 (76.2)	1.50 (38.1)	/	2.06 (52.3)	/	3.38 (85.9)	4.00 (101.6)	1.00 (25.4)	0.34 (8.6)	6.69 (169.9)	0.69 (17.5)	0.50 (12.7)	1.38 (35.1)
15NSS-FRT8-2	FRT8														

Medium & High Pressure Fittings and Tubing

Quick Couplings

Medium & High Pressure Valves

Line Filters

Sour Service Products

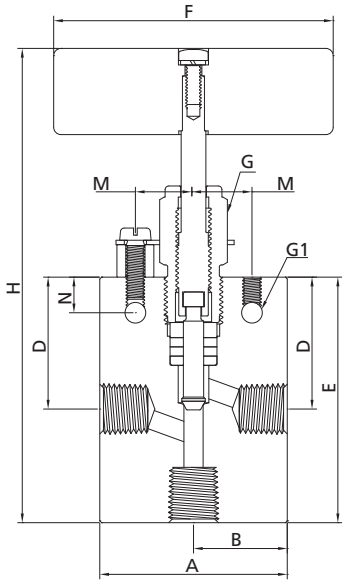
Subsea Valves

Tools and Installation Instructions

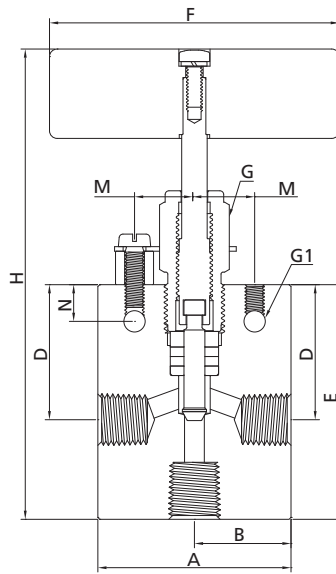
Technical Information

## Ordering Information and Dimensions (Pipe Connection, 3-Way)

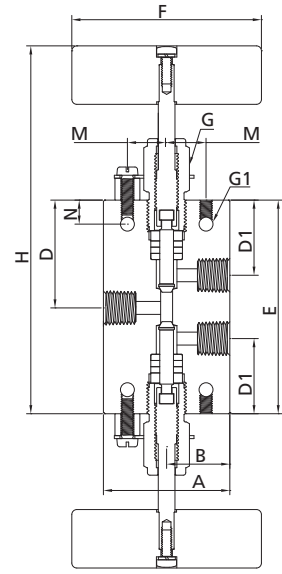
2 on pressure



1 on pressure



2 stem manifold



**2 on pressure**

Ordering Number	Connection	Orifice in. (mm)	Dimensions, in. (mm)												
			A	B	C	D	D1	E	F	G	G1	H	M	N	Thickness
15NSS-FNS2-4	FNS2	0.078 (1.98)	1.50 (38.1)	0.75 (19.1)	/	0.82 (20.6)	/	1.57 (40.0)	1.75 (44.5)	0.62 (15.8)	0.17 (4.3)	3.33 (84.6)	0.56 (14.2)	0.31 (7.9)	0.63 (15.9)
15NSS-FRT2-4	FRT2														
15NSS-FNS4-4	FNS4	0.203 (5.2)	2.00 (50.8)	1.00 (25.4)	/	1.41 (35.8)	/	2.62 (66.6)	3.00 (76.2)	0.75 (19.1)	0.22 (5.6)	5.51 (140.0)	0.62 (15.8)	0.38 (9.7)	0.75 (19.1)
15NSS-FRT4-4	FRT4														
15NSS-FNS6-4	FNS6	0.219 (5.56)	2.50 (63.5)	1.25 (31.8)	/	1.41 (35.8)	/	2.62 (66.6)	3.00 (76.2)	0.75 (19.1)	0.22 (5.6)	5.47 (138.9)	0.62 (15.8)	0.38 (9.7)	1.00 (25.4)
15NSS-FRT6-4	FRT6														
15NSS-FNS8-4	FNS8	0.312 (7.92)	3.00 (76.2)	1.50 (38.1)	/	2.06 (52.3)	/	3.62 (92.0)	4.00 (101.6)	1.00 (25.4)	0.34 (8.6)	6.94 (176.26)	0.69 (17.5)	0.50 (12.7)	1.38 (35.1)
15NSS-FRT8-4	FRT8														

**1 on pressure**

Ordering Number	Connection	Orifice in. (mm)	Dimensions, in. (mm)												
			A	B	C	D	D1	E	F	G	G1	H	M	N	Thickness
15NSS-FNS2-5	FNS2	0.078 (1.98)	1.50 (38.1)	0.75 (19.1)	/	0.82 (20.6)	/	1.38 (35.0)	1.75 (44.5)	0.62 (15.8)	0.17 (4.3)	3.13 (79.5)	0.56 (14.2)	0.31 (7.9)	0.63 (15.9)
15NSS-FRT2-5	FRT2														
15NSS-FNS4-5	FNS4	0.203 (5.2)	2.00 (50.8)	1.00 (25.4)	/	1.41 (35.8)	/	2.44 (62.0)	3.00 (76.2)	0.75 (19.1)	0.22 (5.6)	5.33 (135.4)	0.62 (15.8)	0.38 (9.7)	0.75 (19.1)
15NSS-FRT4-5	FRT4														
15NSS-FNS6-5	FNS6	0.219 (5.56)	2.50 (63.5)	1.25 (31.8)	/	1.41 (35.8)	/	2.44 (62.0)	3.00 (76.2)	0.75 (19.1)	0.22 (5.6)	5.34 (135.7)	0.62 (15.8)	0.38 (9.7)	1.00 (25.4)
15NSS-FRT6-5	FRT6														
15NSS-FNS8-5	FNS8	0.312 (7.92)	3.00 (76.2)	1.50 (38.1)	/	2.06 (52.3)	/	3.38 (85.9)	4.00 (101.6)	1.00 (25.4)	0.34 (8.6)	6.69 (169.9)	0.69 (17.5)	0.50 (12.7)	1.38 (35.1)
15NSS-FRT8-5	FRT8														

Medium & High Pressure Fittings and Tubing

Quick Couplings

Medium & High Pressure Valves

Line Filters

Sour Service Products

Subsea Valves

Tools and Installation Instructions

Technical Information

## C-25 Needle Valves and Pneumatic Needle Valves

2 stem manifold															
Ordering Number	Connection	Orifice in. (mm)	Dimensions, in. (mm)												
			A	B	C	D	D1	E	F	G	G1	H	M	N	Thickness
15NSS-FNS2-6	FNS2	0.078 (1.98)	1.50 (38.1)	0.75 (19.1)	/	1.00 (25.6)	0.68 (17.2)	2.02 (51.2)	1.75 (44.5)	0.62 (15.8)	0.17 (4.3)	3.77 (95.8)	0.56 (14.2)	0.31 (7.9)	0.63 (15.9)
15NSS-FRT2-6	FRT2														
15NSS-FNS4-6	FNS4	0.203 (5.2)	2.00 (50.8)	1.00 (25.4)	/	1.69 (42.9)	1.19 (30.2)	3.38 (85.9)	3.00 (76.2)	0.75 (19.1)	0.22 (5.6)	6.27 (159.2)	0.62 (15.8)	0.38 (9.7)	0.75 (19.1)
15NSS-FRT4-6	FRT4														
15NSS-FNS6-6	FNS6	0.219 (5.56)	2.50 (63.5)	1.25 (31.8)	/	1.69 (42.9)	1.19 (30.2)	3.38 (85.9)	3.00 (76.2)	0.75 (19.1)	0.22 (5.6)	6.22 (158.1)	0.62 (15.8)	0.38 (9.7)	1.00 (25.4)
15NSS-FRT6-6	FRT6														
15NSS-FNS8-6	FNS8	0.312 (7.92)	3.00 (76.2)	1.50 (38.1)	/	2.56 (65.1)	1.75 (44.5)	5.12 (130.1)	4.00 (101.6)	1.00 (25.4)	0.34 (8.6)	8.43 (214.2)	0.69 (17.5)	0.50 (12.7)	1.38 (35.1)
15NSS-FRT8-6	FRT8														

NOTES: 1. G is the drill dimension of packing gland mounting hole.

2. G1 is the dimension of bracket mounting hole.

3. Panel mounting drill size: 0.25" all valves.

4. H is the dimension of stem in closed position.

5. All dimensions for reference only and subject to change. For dimensions not shown above, please contact the FITOK Group or our authorized distributors.

Medium & High Pressure Fittings and Tubing
Quick Couplings
Medium & High Pressure Valves
Line Filters
Sour Service Products
Subsea Valves
Tools and Installation Instructions
Technical Information